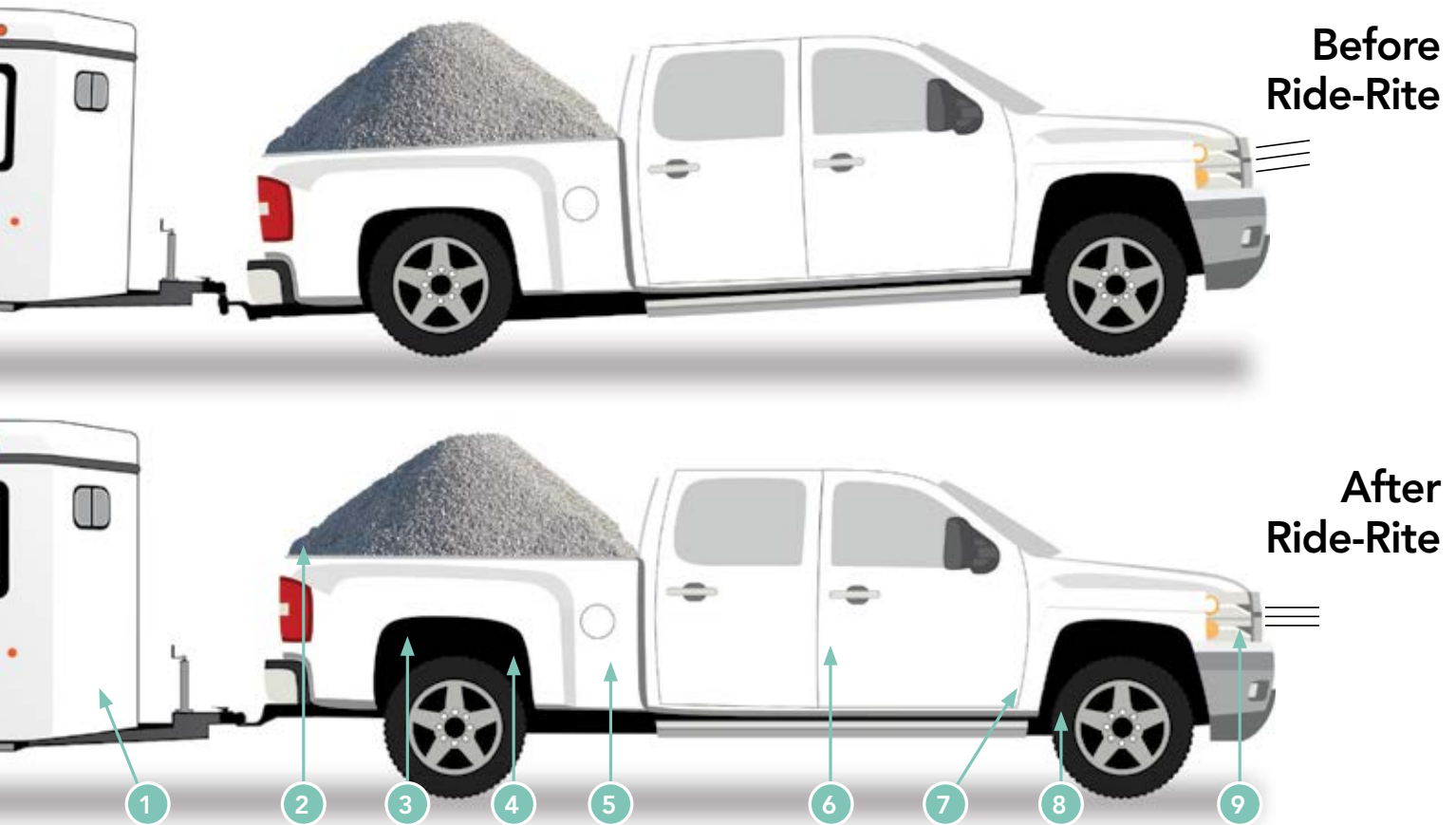


Firestone

Ride-Rite™ Air Springs

Install on most light trucks, motor-homes, RVs, SUVs and vans. Over 600 applications specifically designed to maximize the vehicle's safe load carrying & towing capacity, stability, ride quality and braking effectiveness.



Benefits of Air Springs

- ① Protects cargo
- ② Prevents unbalanced loads
- ③ Installs easily
- ④ Reduces bottoming out
- ⑤ Eliminates sag
- ⑥ Increases ride comfort
- ⑦ Improves steering control and braking
- ⑧ Preserves tires
- ⑨ Keeps headlights level

THE **ADDED SUPPORT** YOUR SUSPENSION NEEDS.



MADE IN

U. S. A.

The 9700 Series.



Versatility at it's finest.

Hutchens Industries

**The Difference is Durability.
The Quality is Hutchens.**

- Versatile design to fit any application and configuration.
- Lowers total cost of ownership.
- Extends service life.
- Reduces downtime.
- Protects your cargo.



SUSPENSION • TABLE OF CONTENTS

Suspension Kits

Spring Kits D-3
 U-Bolt Kits D-5

Hanger Kits 2,000 lb - 8,000 lb Capacity

Single Axle Hanger Kits D-5
 Tandem Axle Hanger Kits D-6
 Triple Axle Hanger Kits D-9
 E-Z Flex® Rubber Suspension System
 6,000 lb - 8,000 lb Capacity D-10

Heavy Duty Suspension Systems

9,000 lb - 30,000 lb Capacity D-11
 9,000 lb Suspension D-12
 10,000 lb General Duty Suspension D-13
 10,000 lb - 15,000 Suspension D-14
 Dexter HDSS Suspension 10,000 lb - 22,500 lb..... D-15
 12,000 lb - 25,000 lb
 Hutch 9700 Trailer Heavy Duty..... D-16

Suspension Systems

Hutch 9700 Suspension Components D-17
 10,000 lb - 30,000 lb AirRide Suspension Systems D-18
 Air-Ride Suspension Components D-20
 Torflex® AIRFLEX® Light Trailer Suspension D-21
 Air Supply Kit D-22

Suspension Components

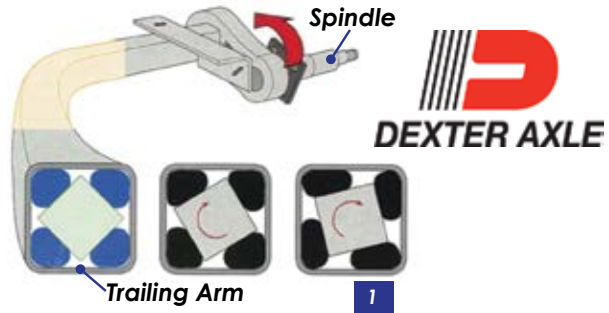
U-Bolts D-23
 Hangers D-24
 Equalizers D-25
 Springs D-27
 Suspension Hardware D-28



TRAILER SUSPENSIONS

Torsion Axle Suspensions

There are several options for your trailer's suspension. First, it could be built into your axle, via a Torsion Axle. On a Torflex® Axle, each wheel rides independently over bumps without affecting another wheel, even if on the same axle. The Torflex® Axle offered by Dexter has capacity between 600 pounds upwards to 14,000 pounds. It uses square torsion bars within square tubes and four rubber cords as shown to the right. This type of axle uses the torsion bar mounted in a square tube fitted with rubber cords that compress when twisted. The spindle, trailing arm and torsion bar are welded. They cannot be disassembled. There is a removable spindle option, **see Section A for details**. The Torflex system mounts directly to the trailer frame which helps prevent periods of inactivity due to mud, snow or ice. Additionally, Dexter uses tubular steel that can be made into structural, frame cross members. This enables a lower overall trailer height with a lower center gravity leading to improved handling, especially better cornering ability and rough-road stability. Each wheel is truly independent and has greater energy absorption due to the rubber springing mechanism offering more compliance and a plusher ride. Sway allowed by a typical leaf-spring hanger setup is virtually eliminated. On unequalized tandem trailers with torsion axles, you can run the rear wheels off the end of a ramp and they'll only drop about 1½ inches instead of the 4" typical with a solid axle having leaf springs. This gives another three feet or so of effective ramp length without getting into trouble. And, if you have a flat tire, the reduced drop will keep from destroying the tire or wheel while also making it easier to change a flat. In fact, on many tandem torsion units, it's possible in emergency situations to drive with one wheel removed, although it is not a recommended practice. Other benefits include reduced maintenance, better durability, virtually no noise and with the use of the bolt-on hanger kit, easier installation. Unlike typical leaf springs, which often begin to rust after their first immersion, torsion units are either unaffected by water immersion or protected from its effects; the rubber used is providing a water tight seal for the housing. Available in a "V-BEND" and galvanized for boat trailer applications.

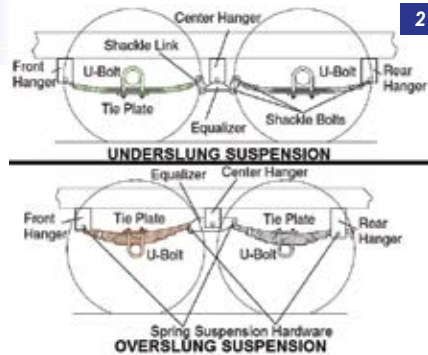


The down side to torsion axles is that in most cases, torsion axles can't be disassembled for repair - the entire axle must be replaced if damaged, which is much the same in the case of a conventional beam axle. But the cost of a torsion axle will be greater because the component is not as simple as an ordinary steel bar or tube used in conventional axles. A Torflex axle cost more than conventional spring system - from 20% to 50% more, depending on capacity rating.

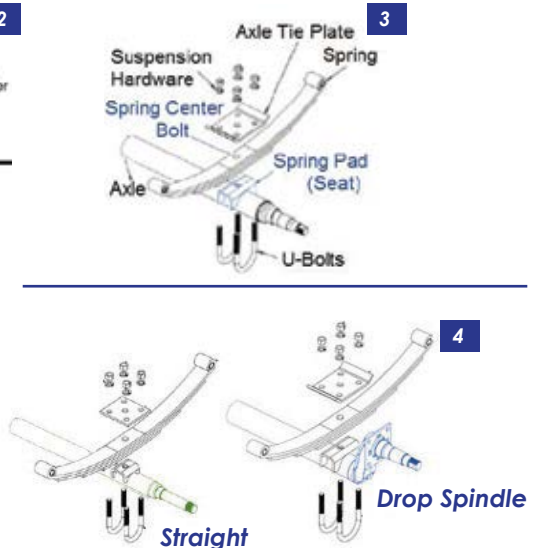
Understanding the Torflex® Axle with built in Suspension Option, users can make an informed decision about the suspension that best fits their intended use, and a fit for their trailer budget.

Spring Mounting Suspension Systems

When referencing a suspension spring mounting configuration, know that the term underslung and overslung is referring to the suspension, or springs, rather than the axle. Underslung is when the springs are mounted below the axle and overslung is when the springs are mounted on top of the axle. **See Illustration 2.**



Springs mount to the axle by aligning the spring center bolt into the axle spring seat, or pad. Axles can be ordered with the spring pad set at a specific measurement, or they can be ordered 'loose' and installed by the end user (requires welding). **See Illustration 3.**



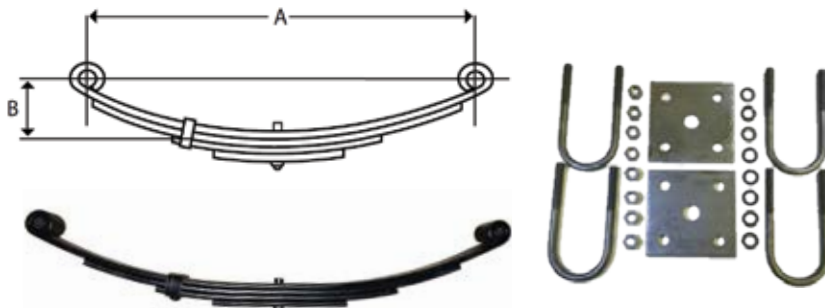
The selection of the spindle height is important. A drop axle has a spindle that is 4 or 6 inches higher than the axle enabling a lower profile trailer. **See Illustration 4.**

Lastly, choosing a round tube or square tube axle beam is necessary. In most cases, the square tube (not torsion) axle beam is for lower capacity applications such as light boat or small utility trailering.

With this knowledge, one can determine the suspension requirements that will meet their desired trailering capacities and uses. The wheels, tires and spring capacities must be compatible with the rating of the axle. In simple terms, a higher rated tire and wheel assembly, or suspension system, will only be maximized when first the axle rating is increased to the desired rating.

DOUBLE-EYE LEAF SPRING & U-BOLT KITS

ROUND TUBE AXLE BEAM LEAF SPRING & U-BOLT KITS



See Suspension Section
Table of Contents for
U-Bolt Only or Spring Only
offerings.

ITEM NO.	ID NO.	APPLICATION	LENGTH (A)	WIDTH	ARCH (B)	CAPACITY	NO. OF LEAVES	EYE ID	BUSHING SIZE	BUSHING ITEM NO.
9150006-02	2-1020	2K AXLE	20.38	1.75	3.18	1,000	3	11/16"	9/16"	9000038
9150073-02	2-PR722	2.5K AXLE	25.25	1.75	3.18	1,250	3	11/16"	9/16"	9000038
9150014-02	2-PR4B	3.5K AXLE	25.25	1.75	3.00	1,750	4	11/16"	9/16"	9000038
9150016-02	2-SW4	5K AXLE	25.25	1.75	3.00	2,500	4	11/16"	9/16"	9000038
9150018-02	2-PR5	5.8K AXLE	25.25	1.75	3.00	2,900	5	11/16"	9/16"	9000038
9150021-02	2-PR6	7K AXLE	25.25	1.75	3.00	3,500	6	11/16"	9/16"	9000038

* NOTE: Leaf springs support between 1,000 to 7,500 lbs per spring for 2K - 15K axles. There are two springs per axle. Each spring supports 50% of the axle's capacity up to the spring's capacity. i.e., a spring rating of 1,750 lbs is required for a 3,500 lbs capacity rated axle.

SQUARE TUBE AXLE BEAM LEAF SPRING & U-BOLT KITS (MARINE)



Marine+

+ Galvanized Tie Plate and
Zinc U-Bolts, Washers and Nuts

ITEM NO.	ID NO.	APPLICATION	LENGTH (A)	WIDTH	ARCH (B)	CAPACITY	NO. OF LEAVES	EYE ID	BUSHING SIZE	BUSHING ITEM NO.
9150006-02MS	2-1020	2K AXLE	20.38	2.00	3.18	1,000	3	11/16"	9/16"	9000038
9150014-03	2-S1043L	3.5K AXLE	25.25	2.00	3.00	1,750	4	11/16"	9/16"	9000038

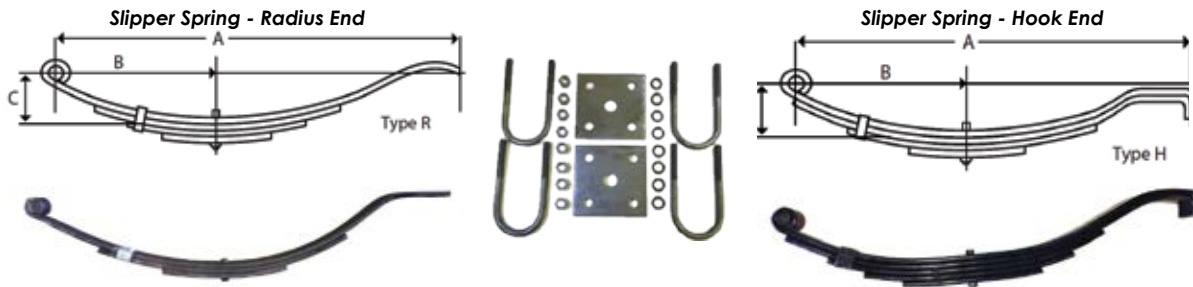
* NOTE: Leaf springs support between 1,000 to 7,500 lbs per spring for 2K - 15K axles. There are two springs per axle. Each spring supports 50% of the axle's capacity up to the spring's capacity. i.e., a spring rating of 1,750 lbs is required for a 3,500 lbs capacity rated axle.

Fraction to Decimal Conversion Chart

1/16	0.063	3/8	0.375	11/16	0.688
1/8	0.125	7/16	0.438	3/4	0.750
3/16	0.188	1/2	0.500	13/16	0.813
1/4	0.250	9/16	0.563	7/8	0.875
5/16	0.313	5/8	0.625	15/16	0.938

SLIPPER SPRING & U-BOLT KITS =

ROUND TUBE AXLE BEAM LEAF SPRING & U-BOLT KITS



ITEM NO.	ID NO.	APPLICATION	LENGTH (A)	WIDTH	ARCH (B)	HEIGHT (C)	CAPACITY	NO. OF LEAVES	TYPE	EYE ID	BUSHING SIZE	BUSHING ITEM NO.	NOTE
9150025-02	2-WIC2	1K Axle	24.62	1.75	11.00	4.00	500	2	R	11/16"	9/16"	9000038	*
9150031-02	2-WIE3	1.5K Axle	24.62	1.75	11.00	4.00	750	3	R	11/16"	9/16"	9000038	*
9150007-02	2-WIH4	2K Axle	24.62	1.75	11.00	4.00	1,000	4	R	11/16"	9/16"	9000038	*
9150011-02	2-WIF3	3K Axle	30.00	1.75	13.50	4.88	1,500	3	R	7/8"	9/16"	9000051	*
9150015-02	2-WIG4	4K Axle	30.00	1.75	13.50	4.88	2,000	4	R	7/8"	9/16"	9000051	*
9150076-02	2-803T3	4K Axle	26.50	2.00	11.19	2.50	2,000	4	H	1-15/16"	9/16"	9000298	*, 2ea Bushings
9150020-02	2-E5226	6.8K Axle	26.50	2.00	12.00	3.50	3,400	5	H	11/16"	9/16"	9000039	*
9150000-02	2-1203T3	7K Axle	26.50	2.00	11.19	3.19	3,500	5	H	11/16"	9/16"	9000039	*
9150022-02	2-HW5116	7.5K Axle	26.50	2.00	13.50	3.50	3,750	6	H	11/16"	9/16"	9000039	*
9150034-02	2-1403T3	8K Axle	26.63	2.00	11.19	3.19	4,000	7	H	11/16"	9/16"	9000039	*
9150024-02	2-E5115	8K Axle	29.50	2.00	13.50	3.50	4,000	6	H	11/16"	9/16"	9000039	*
9150001-02	2-72-10	9K Axle	30.00	2.00	13.13	3.88	4,500	6	H	1-3/8"	5/8"	9000041	*
9150033-02	2-72-80	10K Axle	30.50	2.50	13.50	4.00	5,000	5	H	2"	9/16"	9000295	*
9150030-02	2-72-44-1	12K Axle	30.50	3.00	13.38	4.00	6,000	6	H	2"	1"	9000043	
9150032-02	2-75-45	15K Axle	30.50	3.00	13.38	4.00	7,500	7	H	2"	1"	9000043	

* NOTE: Slipper Springs support between 1,000 to 7,500 lbs per spring for 2K - 15K axles. There are two springs per axle. Each spring supports 50° of the axle's capacity up to the spring's capacity. i.e., a spring rating of 1,750 lbs is required for a 3,500 lbs capacity rated axle.

SQUARE TUBE AXLE BEAM LEAF SPRING & U-BOLT KITS (MARINE)



Marine+
+ Galvanized Tie Plate and
Zinc U-Bolts, Washers and Nuts

ITEM NO.	ID NO.	APPLICATION	LENGTH (A)	WIDTH	ARCH (B)	HEIGHT (C)	CAPACITY	NO OF LEAVES	TYPE	EYE ID	BUSHING SIZE	BUSHING ITEM NO.	NOTE
9150025-02MS	2-WIC2	1K Axle	24.62	2.00	11.00	4.00	500	2	R	11/16"	9/16"	9000038	*
9150031-02MS	2-WIE3	1.5K Axle	24.62	2.00	11.00	4.00	750	3	R	11/16"	9/16"	9000038	*
9150007-02MS	2-WIH4	2K Axle	24.62	2.00	11.00	4.00	1,000	4	R	11/16"	9/16"	9000038	*
9150011-02MS	2-WIF3	3K Axle	30.00	2.00	13.50	4.88	1,500	3	R	7/8"	9/16"	9000051	*
9150015-02MS	2-WIG4	4K Axle	30.00	2.00	13.50	4.88	2,000	4	R	7/8"	9/16"	9000051	*

* NOTE: Slipper Springs support between 1,000 to 7,500 lbs per spring for 2K - 15K axles. There are two springs per axle. Each spring supports 50° of the axle's capacity up to the spring's capacity. i.e., a spring rating of 1,750 lbs is required for a 3,500 lbs capacity rated axle.

See Suspension Section
Table of Contents for
U-Bolt Only or Spring Only
offerings.

U-BOLT & HANGER KITS

U-BOLT KITS • ROUND AXLE TUBE U-BOLTS



ITEM NO.	ID NO.	APPLICATION	TYPICAL AXLE USE	U-BOLT SIZE
9100052	APUBR10	FITS 1-3/4" ROUND AXLE TUBES	2K	3/8"-24 X 4.29" LONG
9100158	APUBR3	FITS 2-3/8" ROUND AXLE TUBES	3.5K	7/16" X 5.13" LONG
9100045	APUBR1	FITS 2-3/8" ROUND AXLE TUBES	3.5K	1/2"-20 X 5.50" LONG
9100044	APUBR1-XL	FITS 2-3/8" ROUND AXLE TUBES	3.5K	1/2"-20 X 6.25" LONG
9100047	APUBR8	FITS 3" ROUND AXLE TUBES	5.2K-6K	1/2"-20 X 7.00" LONG
9100048	APUBR9	FITS 3" ROUND AXLE TUBES	5.2K-6K	9/16"-18 X 7.50" LONG
9100050	APUBR35	FITS 3-1/2" ROUND AXLE TUBES	7K-8K	9/16"-18 X 7.50" LONG
9100049	APUBR35-TT	FITS 3-1/2" ROUND AXLE TUBES	7K-8K	5/8"-11 X 8.13" LONG
9100268	APUBR4	FITS 4" ROUND AXLE TUBES	9K	5/8"-11 X 8.13" LONG
9100096	APUBR5	FITS 5" ROUND AXLE TUBES	10K GENERAL DUTY	5/8"-11 X 8.13" LONG
9100266	APUBR6	FITS 5" ROUND AXLE TUBES	10K HEAVY DUTY	5/8"-11 X 8.13" LONG
9100097	APUBR7	Fits 5" Round Axle Tubes	12K - 15K Heavy Duty	3/4" x 9.60" Long

Fraction	Decimal
1/16	0.063
1/8	0.125
3/16	0.188
1/4	0.250
5/16	0.313
3/8	0.375
7/16	0.438
1/2	0.500
9/16	0.563
5/8	0.625
11/16	0.688
3/4	0.750
13/16	0.813
7/8	0.875
15/16	0.938

Fraction to Decimal Conversion Chart

SQUARE TUBE AXLE BEAM LEAF SPRING & U-BOLT KITS (MARINE)

Marine+

+ Galvanized Tie Plate and Zinc U-Bolts, Washers and Nuts

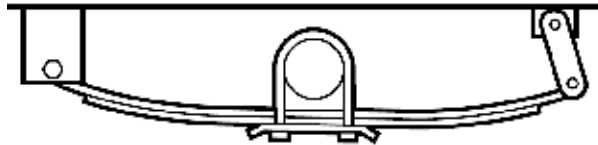


ITEM NO.	APPLICATION	U-BOLT SIZE	FINISH
9100042	FITS 1-3/4" SQUARE TUBE AXLES	9/16"-18 X 5" LONG	STEEL
9100270	FITS 2" SQUARE TUBE AXLES	1/2"-13 X 5.31" LONG	GALVANIZED
9100160	FITS 2" SQUARE TUBE AXLES	1/2"-13 X 5.38" LONG	ZINC
9100323+	FITS 2" SQUARE TUBE AXLES	3/8"-16 X 3.50" LONG	YELLOW ZINC
9100315+	FITS 2" SQUARE TUBE AXLES	3/8"-16 X 3.00" LONG	ZINC
9100318+	FITS 3" SQUARE TUBE AXLES	3/8"-16 X 4.00" LONG	ZINC

* Special Order in some locations. +U-Bolt and hardware kit only.

Hanger Kit Components

SINGLE AXLE HANGER KITS



1.75" WIDE DOUBLE-EYE SPRING HANGER KITS 2K THRU 7K

HANGER KIT COMPONENTS				QUANTITY INCLUDED IN KIT					
ITEM NO.	ID NO.	DESCRIPTION	HEIGHT	ID	9100063	9100116	9100013	9100071	9100117
9000113	028-005-00	HANGER	3.250"		APS1	APS2	APS3	APS4	APS5
9000122	115917	FRONT HANGER	1.250"	COMPLETE HANGER KITS	-	-	-	2	2
9000123	115980	FRONT HANGER	1.187"		2	2	2	-	-
9000127	032-020-00	REAR HANGER	0.910"		-	2	2	2	-
9000147	006-007-00	FLANGE LOCKNUT			2	-	-	-	2
9000030	007-003-00	SHACKLE BOLT			6	6	6	6	6
9000223	155052	SHACKLE LINK			6	6	6	6	6
9000164	115208	LONG SHACKLE LINK			-	4	-	-	
					4	-	4	4	4

9100013



9100063



9100071



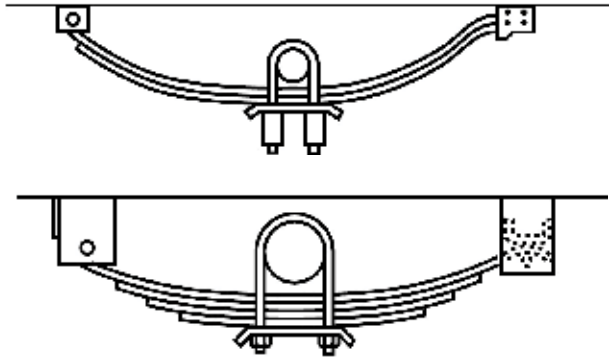
9100117



SINGLE & TANDEM AXLE HANGER KITS

Single Axle Hanger Kits

1.75" & 2" WIDE SLIPPER SPRING HANGER KITS 2K THRU 8K

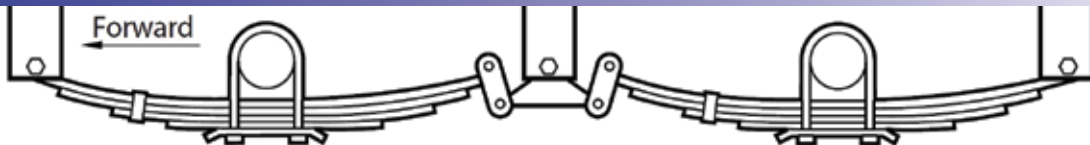


HANGER KIT COMPONENTS			ITEM NO.
ITEM NO	ID NO	DESCRIPTION	HEIGHT
9000122	115917	FRONT HANGER	1.250"
9000099	115706S	REAR HANGER	-
9000105	721584	FRONT HANGER	3.750"
9000106	721585	REAR HANGER	5.625"
9000147	006-007-00	FLANGE LOCKNUT	
9000030	007-003-00	SHACKLE BOLT	
9000031	007-017-00	SHACKLE BOLT	

QUANTITY INCLUDED IN KIT

ID	9100007	9100018
	APS3SE	APS6SE
COMPLETE HANGER KITS	2	-
	2	-
	-	2
	-	2
	2	4
	2	-
	-	4

Tandem Axle Hanger Kits



1.75" WIDE DOUBLE-EYE SPRING HANGER KITS 2K THRU 7K

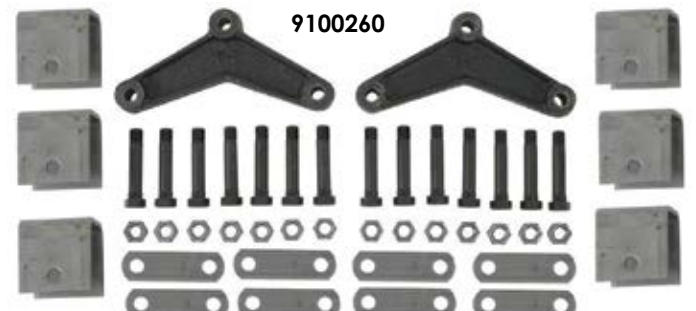
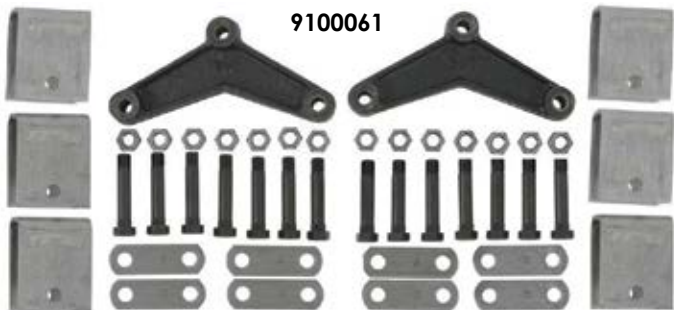
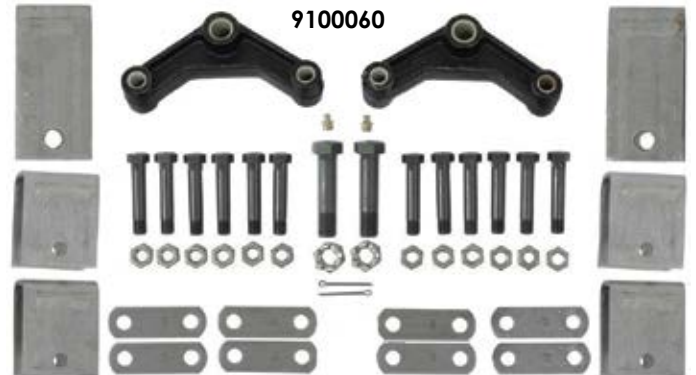
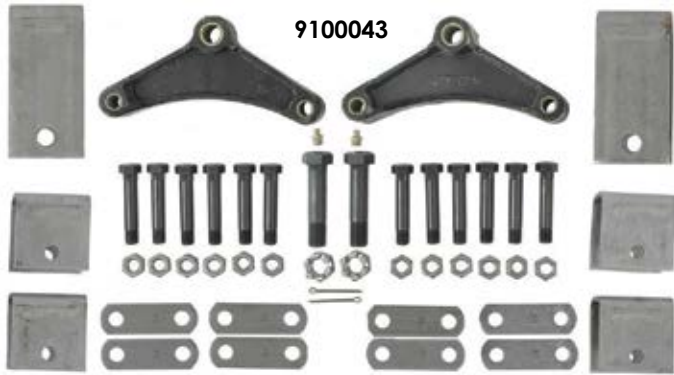
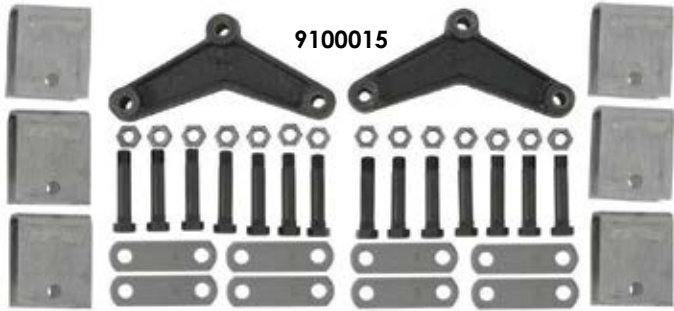
QUANTITY INCLUDED IN KIT

HANGER KIT COMPONENTS			ITEM NO.
ITEM NO.	ID NO.	DESCRIPTION	HEIGHT
9000122	115917	HANGER	1.250"
9000128	115918	HANGER	2.500"
9000129	115919	HANGER	5.438"
9000113	028-005-00	HANGER	3.250"
9000521	029-031-00	HANGER	3.625"
9000114	028-049-00	HANGER	4.250"
9000065	013-104-02	CAST EQUALIZER	5-5/8"
9000067	EQ458	CAST EQUALIZER	6-1/4"
9000089	EQ34	CAST EQUALIZER	7-3/4"
9000090	E1	CAST EQUALIZER	7-3/4"
9000088	EQ83	CAST EQUALIZER	8"
9000163	18-11	SHACKLE STRAP	2-1/4"
9000223	1150522	SHACKLE STRAP	2-5/8"
9000164	115208	SHACKLE STRAP	3-1/8"
9000147	006-007-00	SHACKLE LOCK NUT 9/16"	
9000030	007-003-00	SHACKLE BOLT 9/16"	
9000004	126A	WET BOLT 3/4" (LESS ZERK)	
9000140	165093	CASTLE NUT 3/4"	
8750003	165649	COTTER PIN	
9000132	Z800A	GREASE ZERK	

ID	9100064	9100041	9100043	9100060	9100061	9100015	9100260	9100197-01
	APT1	APT3	APT3-HD	APT4	APT5	APT5-TT	APT9	H248-AP233
COMPLETE HANGER KITS	-	4	-	-	-	-	-	-
	4	2	4	-	-	-	6	-
	2	-	2	2	-	-	-	-
	-	-	-	4	6	6	-	4
	-	-	-	-	-	-	-	2
	-	-	-	-	-	-	-	-
	-	-	-	-	-	-	-	2
	-	-	-	2	-	-	-	-
	-	-	2	-	2	2	2	-
	2	-	-	-	-	-	-	-
	-	-	-	-	-	-	-	8
	8	8	8	8	8	-	8	-
	-	-	-	-	-	8	-	-
	12	14	12	12	14	14	14	14
	12	14	12	12	14	14	14	14
	2	-	2	2	-	-	-	-
	2	-	2	2	-	-	-	-
2	-	2	2	-	-	-	-	
2	-	2	2	-	-	-	-	

TANDEM AXLE HANGER KITS Cont. =

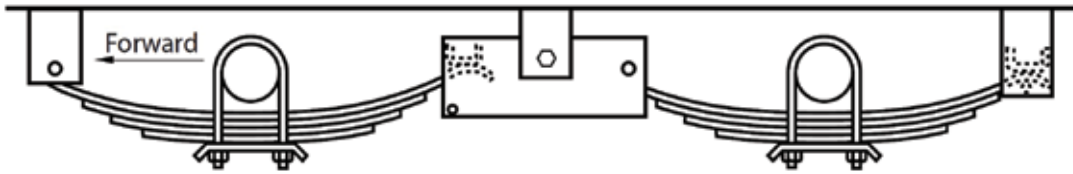
1.75" WIDE DOUBLE-EYE SPRING HANGER KITS 2K THRU 7K CONT.



TANDEM AXLE HANGER KITS Cont. =

TANDEM AXLE HANGER KITS Cont. =

2" WIDE SLIPPER SPRING HANGER KITS 3.5K THRU 8K



QUANTITY INCLUDED IN KIT

HANGER KIT COMPONENTS			ITEM NO.
ITEM NO.	ID NO.	DESCRIPTION	HEIGHT
9000105-02	721584-3	3" FRONT HANGER	3.5625"
9000106-02	721585-3	3" REAR HANGER	5.0625"
9000100-02	721586-3	3" CENTER HANGER	3.3750"
9000105	721584	4" FRONT HANGER	3.5625"
9000106	721585	4" REAR HANGER	5.0625"
9000100	721586	4" CENTER HANGER	3.3750"
9000291	028-001-00	FRONT HANGER	2.2500"
9000290	029-001-00	CENTER HANGER	3.5000"
9000292	030-028-00	REAR HANGER	5.3750"
9000119	028-009-01	FRONT HANGER	5.0000"
9000170	029-005-01	CENTER HANGER	4.5000"
9000121	030-006-01	REAR HANGER	6.3750"
9000272	E4541	EQUALIZER REGULAR DUTY	
9000070	E5541	EQUALIZER HEAVY DUTY	
9000094-01	013-004-00	*10" EQUALIZER	
9000092	013-044-00	13" EQUALIZER	
9000522	TT0375D	SPRING KEEPER BOLT KIT 0.375" X 3.25" LONG	
9000031	91635B	SHACKLE BOLT 0.5625" X 3.50" LONG	
9000147	916DLN	LOCKNUT 0.5625"	
9000017	7845B	EQUALIZER BOLT 0.875" X 4.6875"	
9000146	78CN	CASTLE NUT 0.875"	
8750003	165649	COTTER PIN	
9000016-01	TT0875W	WET EQUALIZER BOLT KIT 0.875" X 4.50" LONG	

ID	9100073-03	9100020	-	9100119-01	9100343
	APT6SE-RD	APT6SE-HD	APT6SE-36	H202-AP202	H238-AP216
2	-	-	-	-	-
2	-	-	-	-	-
2	-	-	-	-	-
-	2	2	-	-	-
-	2	2	-	-	-
-	-	-	2	-	-
-	-	-	2	-	-
-	-	-	2	-	-
-	-	-	-	2	2
-	-	-	-	-	2
-	-	-	-	-	2
2	2	-	-	-	-
-	-	-	-	-	-
-	-	-	2	-	-
-	-	2	-	2	2
-	-	1 ¹	1 ¹	1 ¹	1 ¹
8	8	4	4	4	4
8	8	4	4	4	4
2	2	-	-	-	-
2	2	-	-	-	-
2	2	-	-	-	-
-	-	1 ¹	1 ¹	1 ¹	1 ¹

COMPLETE HANGER KITS

* Item redesigned from a swan shape to the standard rectangle shape.
1 - Item Includes Hardware.



APT6SE-36



9100119-01



9100073-03



9100343



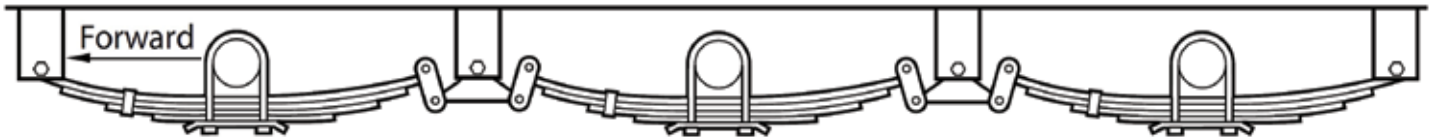
9100020

TANDEM AXLE HANGER KITS Cont. =

TRIPLE AXLE HANGER KITS

Triple Axle Hanger Kits

1.75" WIDE DOUBLE-EYE SPRING HANGER KITS 2K THRU 7K



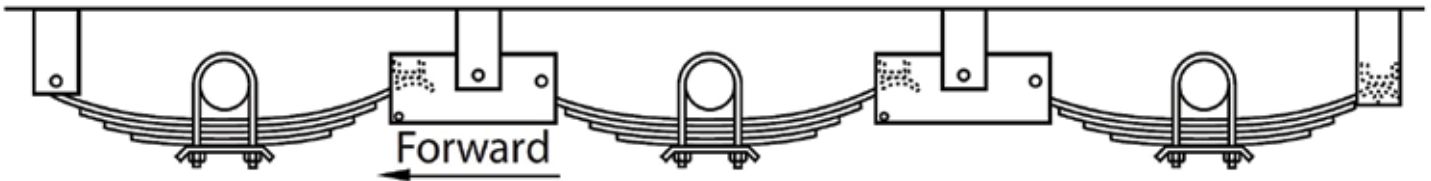
QUANTITY INCLUDED IN KIT

HANGER KIT COMPONENTS			
ITEM NO.	ID NO.	DESCRIPTION	ITEM NO.
9000122	115917	HANGER	1.250"
9000128	115918	HANGER	2.500"
9000113	028-005-00	HANGER	3.250"
9000090	E-1	CAST EQUALIZER	
9000147	006-007-00	FLANGE LOCKNUT	
9000030	007-003-00	SHACKLE BOLT	
9000223	115052	SHACKLE LINK	

COMPLETE HANGER KITS	9100016	9100017
	APTT3	APTT5
	4	-
	-	-
	4	8
	4	4
	24	24
	24	24
16	16	



2" WIDE SLIPPER SPRING HANGER KITS 3.5K THRU 8K



QUANTITY INCLUDED IN KIT

HANGER KIT COMPONENTS			
ITEM NO.	ID NO.	DESCRIPTION	ITEM NO.
9000105	721584	4" FRONT HANGER	3.5625"
9000106	721585	4" REAR HANGER	5.0625"
9000100	721586	4" CENTER HANGER	3.3750"
9000272	E4541	EQUALIZER REGULAR DUTY	
9000031	91635B	SHACKLE BOLT 0.5625" X 3.50" LONG	
9000147	916DLN	LOCKNUT 0.5625"	
9000017	7845B	EQUALIZER BOLT 0.875" X 4.6875"	
9000146	78CN	CASTLE NUT 0.875"	
8750003	165649	COTTER PIN	

COMPLETE HANGER KITS	9100021
	APTT6SE-HD
	2
	2
	4
	4
	12
	12
4	
4	
4	



9100021



SUSPENSION • DEXTER E-Z FLEX®

Dexter E-Z Flex®

E-Z FLEX® RUBBER SUSPENSION SYSTEM 6,000 LB - 8,000 LB CAPACITY

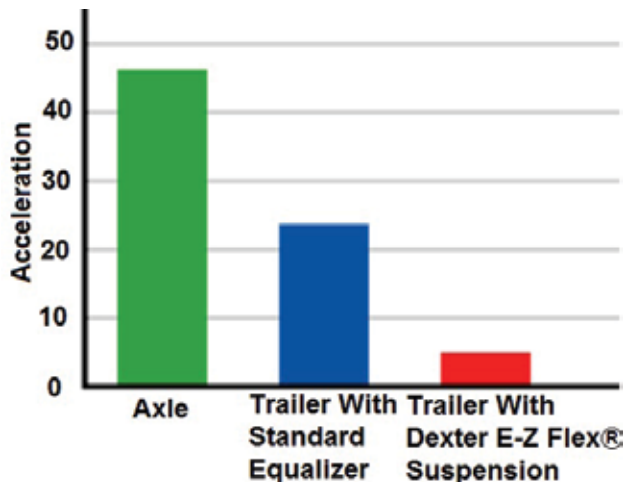


The Remedy

for Rough Roads, Potholes, Cracks, and Other Road Hazards...

- Resilient rubber core isolates and absorbs damaging road shocks before they are sent to the trailer's frame and contents.
- Delivers smoother towing than traditional leaf spring suspensions.
- Retrofits to existing leaf spring suspensions by replacing the standard steel equalizer.
- Unlike competitive products, E-Z Flex does not change the ride height of the trailer.
- Easy installation requires no welding, grinding, or cutting of the trailer frame or hangers.
- Available in 33" (up to 6000 lbs. capacity) and 35" (up to 8000 lbs. capacity) sizes for use on tandem axle trailers.

ITEM NO.	ID NO.	DESCRIPTION
9100100	K71-652-00	COMPLETE E-Z FLEX SUSPENSION - FOR 33" AXLE SPACING AND AXLES UP TO 6000 LBS. CAPACITY
9100148	K71-653-00	COMPLETE E-Z FLEX SUSPENSION - FOR 35" AXLE SPACING AND AXLES UP TO 8000 LBS. CAPACITY
9000130	K71-654-00	E-Z FLEX EQUALIZER & BOLTS - FOR 33" AXLE SPACING AND AXLES UP TO 6000 LBS. CAPACITY
9000131	K71-655-00	E-Z FLEX EQUALIZER & BOLTS - FOR 35" AXLE SPACING AND AXLES UP TO 8000 LBS. CAPACITY



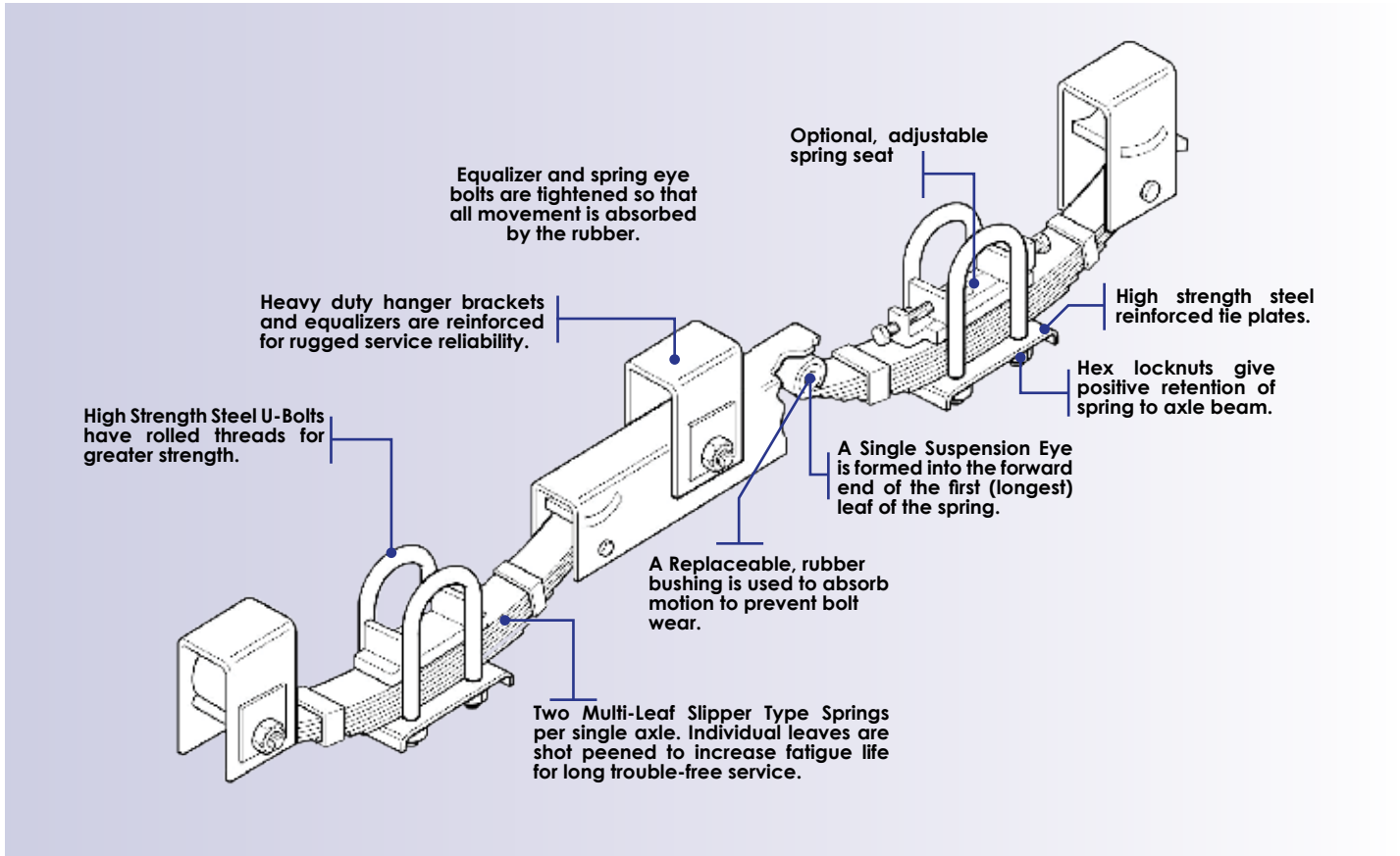
This graph depicts the accelerations experienced by a trailer and axle while going over railroad tracks at 30 mph. The Dexter E-Z Flex equalizer provides an 80% reduction to trailer vertical acceleration when compared to a standard equalizer.



HEAVY DUTY AXLE HANGER KITS

Heavy Duty Axle Hanger Kits

DEXTER AXLE SUSPENSION SYSTEM



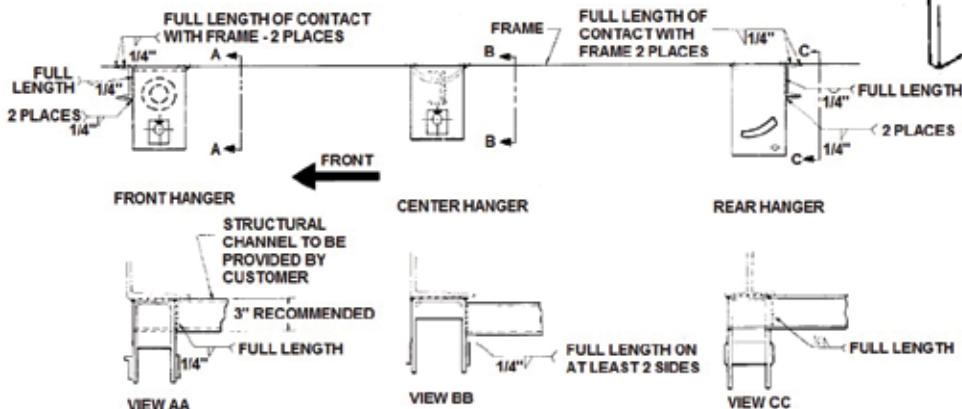
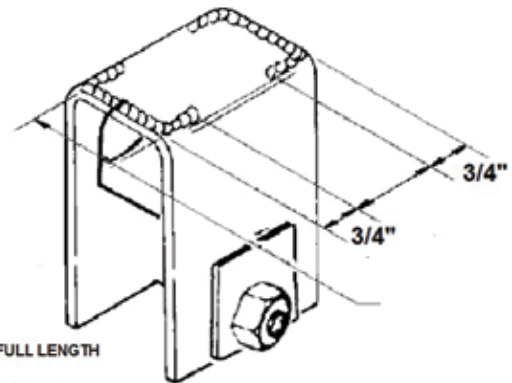
CROSS FRAME HANGER REINFORCEMENT

RECOMMENDED HANGER WELDING PROCEDURES

Cross frame reinforcement between spring and equalizer hanger brackets assures full load carrying capability of the axle mounted structure.

Standard three inch structural channel is suggested for reinforcement members

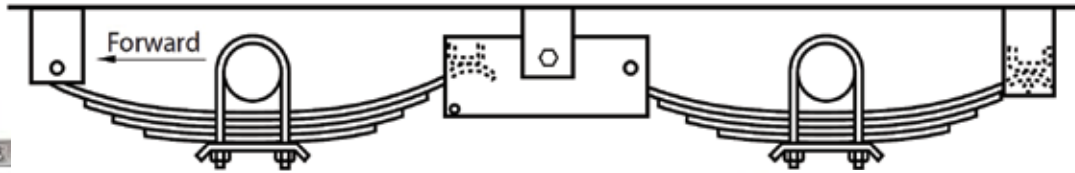
Welds shall be as indicated.



HANGER KITS • HEAVY DUTY

Dexter Heavy Duty Suspension

2" WIDE SLIPPER SPRING HANGER KITS 9K



9100011

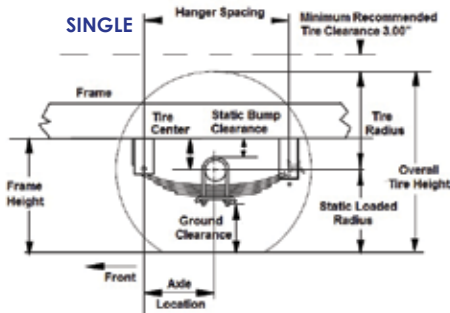


9100008

QUANTITY INCLUDED IN KIT

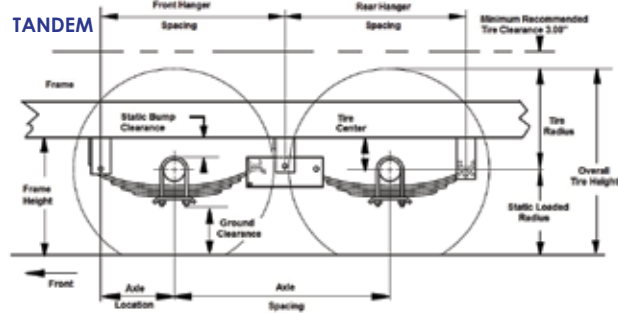
HANGER KIT COMPONENTS			ITEM NO.
ITEM NO.	ID NO.	DESCRIPTION	HEIGHT
9000120	028-068-04	HANGER	5.00"
9000118	030-068-01	HANGER	6.375"
9000117	029-039-04	HANGER	4.500"
9000072	013-117-03	EQUALIZER 38.00" SPACING	
9000071	013-118-03	EQUALIZER 42.25" SPACING	
9000073	013-119-03	EQUALIZER 48.50" SPACING	
9000020	007-007-00	SPRING KEEPER BOLT	
9000143	006-011-00	LOCKNUT	
9000021	007-181-00	SPRING EYE BOLT	
9000144	006-038-00	LOCKNUT	
9000019	007-182-00	EQUALIZER BOLT	
9000136	006-112-00	LOCKNUT	

ID	9100011	9100008	9100009	9100010
	HAP-105-00	HAP-205-01	HAP-205-02	HAP-205-03
2	-	-	-	-
2	-	-	-	-
-	2	2	2	2
-	2	-	-	-
-	-	2	-	-
-	-	-	-	2
2	2	2	2	2
2	2	2	2	2
2	2	2	2	2
-	2	2	2	2
-	2	2	2	2



9K SINGLE AXLE HAP-105-00

FRONT HANGER SPACING	26.90
STATIC BUMP CLEARANCE	2.60
TIRE CENTER	5.20
AXLE LOCATION	13.70



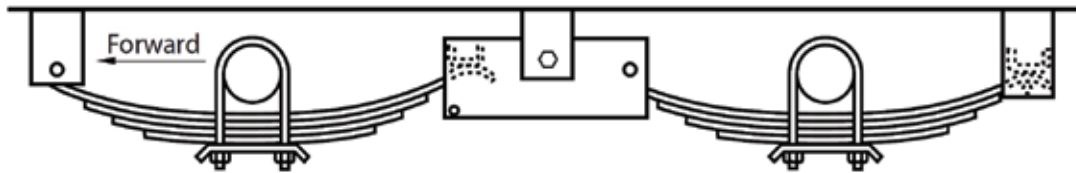
9K TANDEM AXLE

	HAP-205-01	HAP-205-02	HAP-205-03
FRONT HANGER SPACING	32.40	34.60	37.70
REAR HANGER SPACING	32.90	35.00	38.10
STATIC BUMP CLEARANCE	2.30	2.30	2.30
TIRE CENTER	4.90	4.90	4.90
AXLE LOCATION	13.70	13.70	13.70
FRONT AXLE SPACING	38.00	42.30	48.50

HANGER KITS • HEAVY DUTY

Dexter Heavy Duty Suspension

2-1/2" WIDE SLIPPER SPRING HANGER KITS 10K GENERAL DUTY



9100072

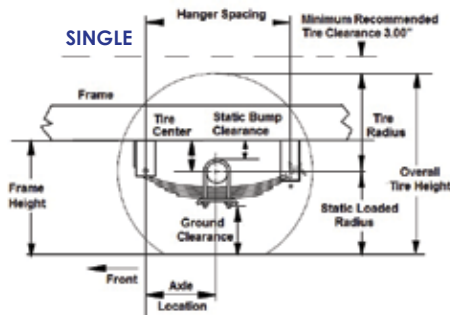


9100090

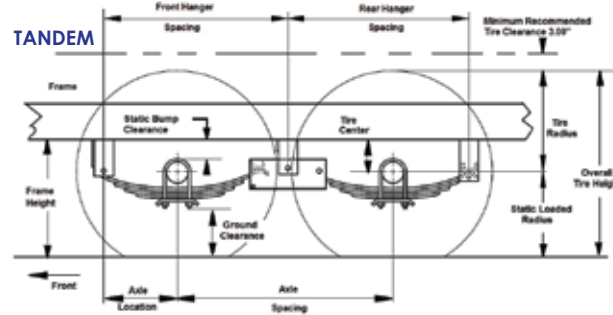
QUANTITY INCLUDED IN KIT

HANGER KIT COMPONENTS			ITEM NO.
ITEM NO.	ID NO.	DESCRIPTION	HEIGHT
9000283	030-061-01	REAR HANGER	4.500"
9000320	028-074-02	FRONT HANGER	5.250"
9000321	029-042-02	CENTER HANGER	4.500"
9100089-02	013-139-02	EQUALIZER 38.00" SPACING	
9100090-03	013-140-03	EQUALIZER 42.25" SPACING	
9100091-02	013-141-03	EQUALIZER 48.50" SPACING	
9000280	007-264-00	SPRING EYE HEX BOLT 3/4" DRY	
9000138	006-113-00	LOCKNUT	
9000013	007-169-00	EQUALIZER BOLT 1" DRY	
9000136	006-112-00	LOCKNUT	

ID	COMPLETE HANGER KITS			
	9100072	9100089	9100090	9100091
HAP-158-00	HAP-258-01	HAP-258-02	HAP-258-03	
2	-	-	-	
2	-	-	-	
-	2	2	2	
-	1	-	-	
-	-	1	-	
-	-	-	1	
2	2	2	2	
2	2	2	2	
-	2	2	2	
-	2	2	2	



10K GD SINGLE AXLE HAP-158-00	
FRONT HANGER SPACING	27.40
STATIC BUMP CLEARANCE	1.90
TIRE CENTER	5.00
AXLE LOCATION	14.00



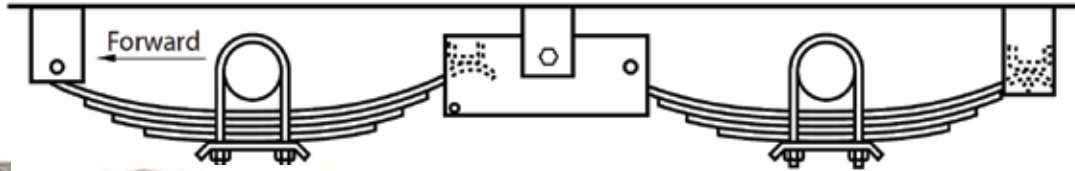
10K GD TANDEM AXLE			
	HAP-258-01	HAP-258-02	HAP-258-03
FRONT HANGER SPACING	33.00	35.10	38.30
REAR HANGER SPACING	32.40	34.60	37.70
STATIC BUMP CLEARANCE	1.70	1.70	1.70
TIRE CENTER	4.80	4.80	4.80
AXLE LOCATION	14.00	14.00	14.00
FRONT AXLE SPACING	38.00	42.30	48.50

HANGER KITS • HEAVY DUTY

HANGER KITS • HEAVY DUTY

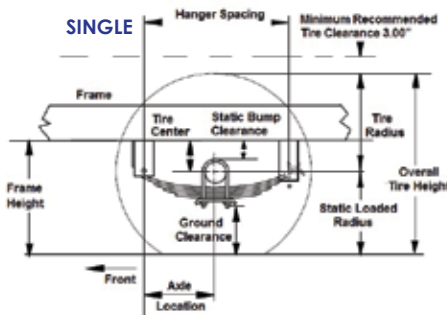
Dexter Heavy Duty Suspension

3" WIDE SLIPPER SPRING HANGER KITS 10KHD - 15KHD

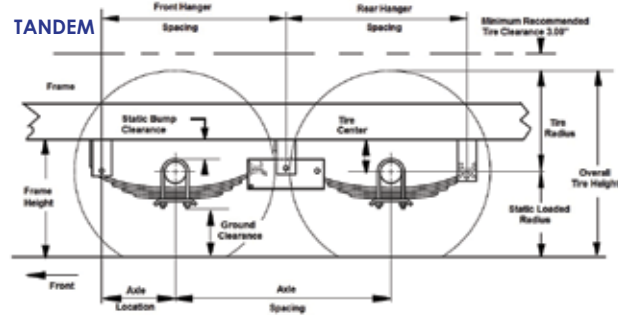


QUANTITY INCLUDED IN KIT

HANGER KIT COMPONENTS				ITEM NO.	QUANTITY INCLUDED IN KIT			
ITEM NO.	ID NO.	DESCRIPTION	HEIGHT	ID	9100012	9100006	9100055	9100005
9000111	030-066-01	REAR HANGER	6.630"	HAP-103-00	HAP-203-01	HAP-203-02	HAP-203-03	
9000112	028-067-04	FRONT HANGER	6.250"					
9000296	029-043-02	CENTER HANGER	4.120"					
9000083	013-107-07	EQUALIZER 38.00" SPACING						
9000082	013-108-03	EQUALIZER 42.25" SPACING						
9000085	013-109-03	EQUALIZER 48.50" SPACING						
9000014	007-095-00	SPRING KEEPER BOLT						
9000137	006-466-00	LOCKNUT						
9000013	007-169-00	SPRING EYE BOLT						
9000136	006-112-00	LOCKNUT						
9000012	007-170-00	EQUALIZER BOLT DRY						
9000135	006-072-00	LOCKNUT						



10K-15K SINGLE AXLE HAP-103-00	
FRONT HANGER SPACING	27.40
STATIC BUMP CLEARANCE	2.90
TIRE CENTER	6.00
AXLE LOCATION	14.00



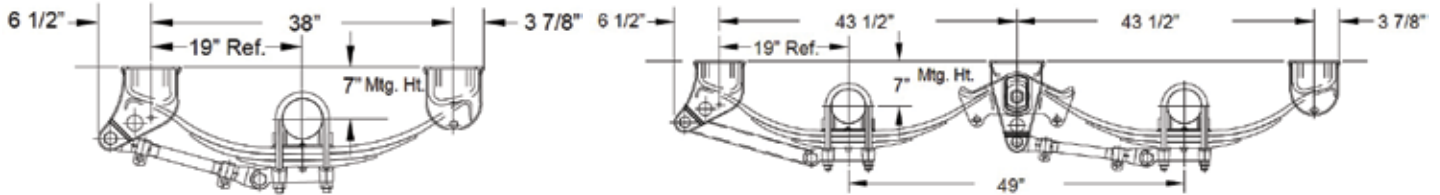
10K-15K TANDEM AXLE			
	HAP-203-01	HAP-203-02	HAP-203-03
FRONT HANGER SPACING	33.00	35.10	38.30
REAR HANGER SPACING	32.40	34.60	37.70
STATIC BUMP CLEARANCE	2.20	2.20	2.20
TIRE CENTER	5.30	5.30	5.30
AXLE LOCATION	14.00	14.00	14.00
FRONT AXLE SPACING	38.00	42.30	48.50

HANGER KITS • HEAVY DUTY

HANGER KITS • HDSS =

Dexter Heavy Duty Suspension System (HDSS)

3" WIDE SLIPPER SPRING HANGER KITS FOR HDSS UNDERSLUNG 10KHD - 22.5K



NOTE: Mounting height shown above is in the unloaded condition.

HANGER KIT COMPONENTS				ITEM NO.
REF NO.	ITEM NO.	ID NO.	DESCRIPTION	
1	9000456	028-082-05	FRONT HANGER	
2	9000457	029-044-10	CENTER HANGER & EQUALIZER ASSEMBLY	
3	9000458	030-075-05	REAR HANGER	
4	9000013	007-169-00	TRACK ROD BOLT 1"-8 UNF	
5	9000460	062-010-10	TRACK ROD BUSHED ADJUSTABLE 19.25	
6	9000136	006-112-00	TRACK ROD LOCKNUT 1"-8 UNF X 4.50"	
7	9000581	011-094-00	U-BOLT 3/4" X 11.75" LONG	
8	9000133	003-403-00	SPRING SEAT	
10	9150008	072-048-00	3-LEAF SPRING*	
11	9000593	012-068-01	U-BOLT AXLE TIE PLATE	
12	9000452	005-095-00	U-BOLT WASHER 3/4"	
13	9000138	006-113-00	U-BOLT NUT 3/4"-10	
14	9000461	062-011-10	TRACK ROD BUSHED FIXED 19.25	
17	9000421	006-126-00	KEEPER BOLT LOCKNUT 5/8"-18	
18	9000459	033-091-00	KEEPER BOLT SLEEVE	
19	9000453	007-294-00	SPRING KEEPER BOLT 5/8"-18	
20	9000135	006-072-00	EQUALIZER LOCKNUT	
22	9000594	013-155-05	REPLACEMENT EQUALIZER WITH BUSHING	
24	9000595	007-295-00	EQUALIZER BOLT	

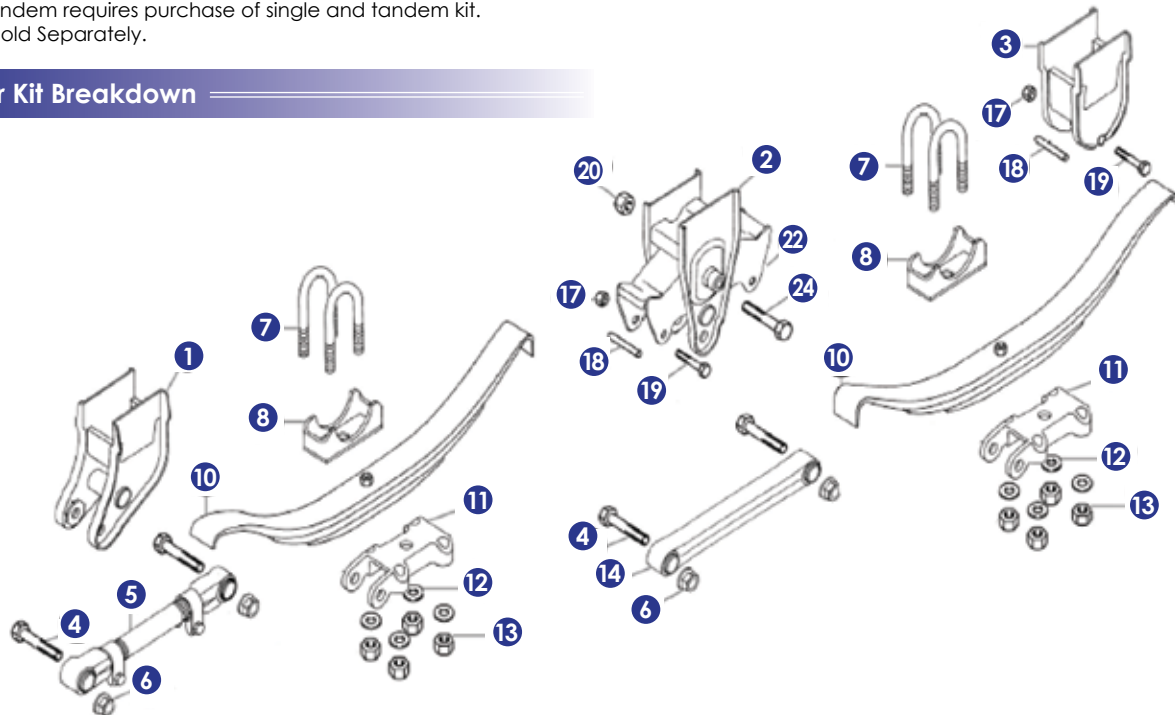
COMPLETE HANGER KITS	SINGLE	TANDEM
	9100335	9100336
ID	HAP-161-00	HAP-261-01
	2	-
	-	2
	2	-
	4	1
	1	2
	4	4
	4	4
	2	2
	2	2
	2	2
	8	8
	8	8
	1	1
	1	1
	2	4
	2	2
	-	2
	-	-
	-	2

10K-22.5K SINGLE AXLE	9100335
FRONT HANGER SPACING	38.00
STATIC BUMP CLEARANCE	3.75
TIRE CENTER	7.00
AXLE LOCATION	19.00

10K-22.5K TANDEM AXLE	9100336
FRONT HANGER SPACING	43.50
REAR HANGER SPACING	43.50
STATIC BUMP CLEARANCE	3.75
TIRE CENTER	7.00
AXLE LOCATION	19.00
FRONT AXLE SPACING	49.00

NOTE: Tandem requires purchase of single and tandem kit.
*Springs Sold Separately.

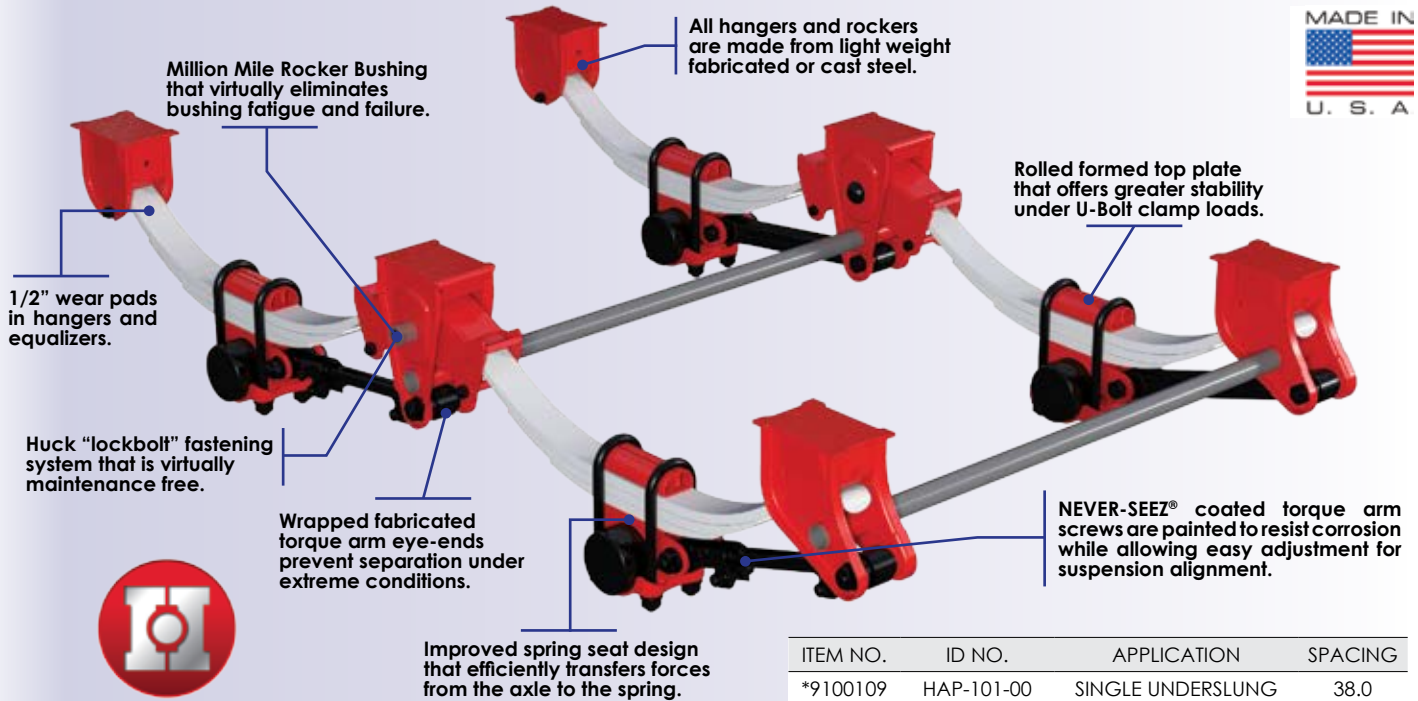
Hanger Kit Breakdown



HANGER KITS • HUTCH HEAVY DUTY

Hutch Heavy Duty Suspension

9700 SERIES TRAILER SUSPENSION SYSTEM - FABRICATED



Hutchens Industries

The Hutch Trailer Suspension System 9700 Series can be assembled in single, tandem or multi-axle configurations. In addition, mounting heights from 6" to 20+" are easily achieved. The 9700 Series offers axle spacings from 42" to 121" and comfortably adapts to round, square or rectangular axles. A wide variety of springs offer suspension capacities from 12,000 up to 25,000 lbs/axle. While the overslung (springs on top of the axle) configuration is considered standard, underslung configuration is available to achieve a reduced trailer height.

ITEM NO.	ID NO.	APPLICATION	SPACING
*9100109	HAP-101-00	SINGLE UNDERSLUNG	38.0
*9100110	HAP-201-00	UNDERSLUNG ADD-ON	49.0
*9100237	HAP-201-54.5	UNDERSLUNG ADD-ON	54.5
*9100273	HAP-201-109	UNDERSLUNG ADD-ON	109.0
*9100111	HAP-102-00	SINGLE OVERSLUNG	38.0
*9100415	HAP-102-44	OVERSLUNG ADD-ON	44.0
9150008	354-00	SLIPPER SPRING 3 LF	-

* NOTE: Springs Sold Separately.

HUTCH SPRING KITS		
ITEM NO.	APPLICATION	SPACING
9100026	44K TANDEM SYSTEM	49.0
9100238	66K TRIPLE SYSTEM	54.5
9100239	44K TANDEM SYSTEM	54.5
9100256	66K TRIPLE SYSTEM	49.0

NOTE: Some items may be Non-Stocking, Special Order.

Ordering Basis:

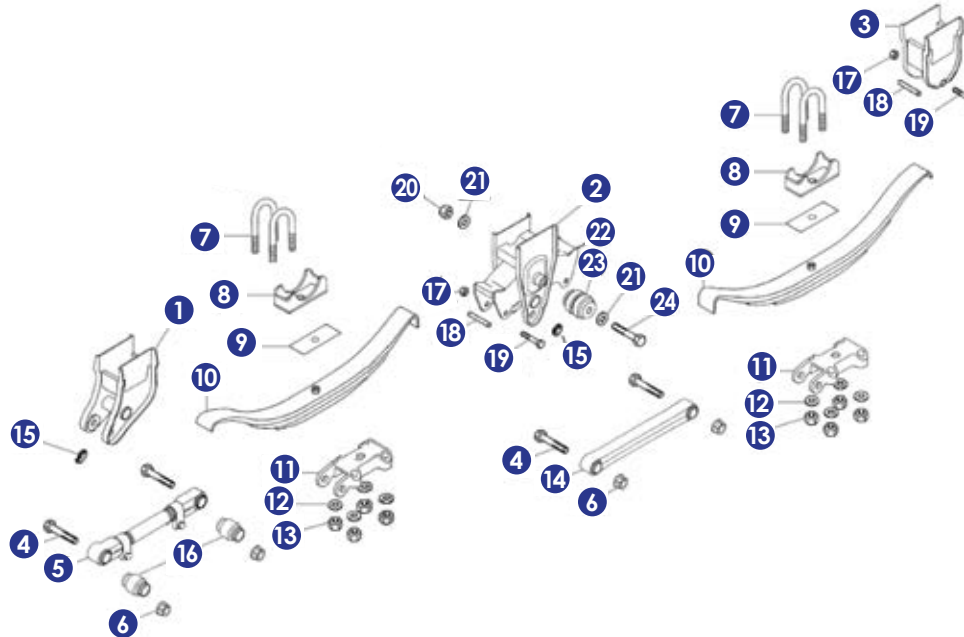
The basis of any order must begin with a complete description of the unit. The following steps will equip any user with the descriptive information required for ordering.

- Determine the number of axles required and the spacing of these axles. Your Customer Service Representative can provide you with the stocking status of specific axles. Most common are hangers for Tandem Axles with 49" Axle Centers.
- Select the style of hangers required to mount the suspension on your particular frame or sub-frame. Specify whether these hangers are to be fabricated or cast steel. Fabricated units are most common.
- Determine the mounting height your application requires. Follow the Mounting Height Chart above.
- Recognize that the mounting height is dependent upon:
 - Suspension configuration - overslung or underslung, etc. Unless otherwise specified, suspension configuration is assumed to be overslung.
 - Axle tube size is 5".
 - Spring Seat Height is 3/4" to 4-3/4" in 1/2" increments.
 - Spring Type - Standard or Heavy-Duty, number of leaves and spring arch.
 - Choose U-Bolt size you prefer, Standard 7/8" or Optional 3/4" Diameter Rod.

HANGER KITS • HUTCH HEAVY DUTY

Hutch Heavy Duty Suspension

FABRICATED 9700 SERIES COMPONENT BREAKDOWN



Hutchens Industries



HUTCH 9700 15K - 22.5K UNDERSLUNG HEAVY DUTY SUSPENSION

REF NO	ITEM NO	ID NO	SINGLE	TANDEM	DESCRIPTION
1	9000325	20728-01	2	2	FRONT SPRING HANGER
2	9000327	16319-02	-	2	CENTER ROCKER / ROCKER HANGER ASSEMBLY
3	9000326	20732-01	2	2	REAR SPRING HANGER ASSEMBLY
4	9000329	719-02	4	8	RADIUS ROD HEX BOLT 1"-14 UNS X 5"
5	9000404	16398-04	1	2	RADIUS ROD WITH BUSHING 19.25" LONG
6	9000330	10562-00	4	8	FLANGE LOCKNUT 1"-14 UNS, GRADE F PHOSPHATE & OIL
7	9000331	7816-10	4	8	STANDARD U-BOLT 7/8" X 11-3/4", 3" THREADS
8	9000133	22215-01	2	4	5" ROUND SPRING SEAT
9	-	17350-02	2	4	GALVANIZED LINER ¹
10	9150008	354-00	2	4	SPRING ASSEMBLY - STANDARD HI-ARCH 3-LEAF - SOLD SEPARATELY
11	9000035	706-01	2	4	BOTTOM PLATE ASSEMBLY - CAST
12	9000097	35-00	8	16	WASHER 15/16" ID X 1-3/4" OD ^A
13	9000154	34-04	8	16	HEX NUT 7/8"-14 UNF ^A
14	9000134	715-00	1	2	NON-ADJUSTABLE RADIUS ROD WITH RUBBER BUSHING
15	9000402	7717-01	2 EA PER HANGER		WASHER BUSHING ²
16	9000390	722-00	2 EA PER RADIUS ROD		RADIUS ROD BUSHING ONLY 3" LONG
17	9000332	37-03	2 EA PER ROCKER		HEX LOCKNUT 5/8"-18 UNF, GRADE B ³
			1 EA PER REAR HANGER		
18	9000333	756-00	2 EA PER ROCKER		SLEEVE SPACER - 3/4"OD X 18 GA X 3-1/4" LONG ³
			1 EA PER REAR HANGER		
19	9000334	759-00	2 EA PER ROCKER		HEX BOLT - 5/8"-18 UNF X 4-1/2" LONG, GRADE 2 ³
			1 PER REAR HANGER		
20	9000560	11154-00	1 EA PER ROCKER		HEX LOCKNUT 1-1/8"-7 UNC, GRADE 5
21	9000445	837-00	2 EA PER ROCKER		WASHER 1/8" X 1-1/4" ID X 2-1/4" OD
	-	16158-01	-	2	ROCKER ASSEMBLY WITH RUBBER BUSHING ^B
22	9000401	18723-01	1 EA PER ROCKER		ROCKER BUSHING ONLY - RUBBER
23	9000561	16150-01	1 EA PER ROCKER		HEX CAP SCREW - 1-1/8"-7 UNC X 6.62" LONG, GRADE 5

NOTE: Some items may be Non-Stocking, Special Order.

1 - Galvanized liners are required on the tension (top) side of each plate when taper (i.e., single, two and three leaf) springs are utilized. One spring liner per spring (for top leaf) will be shipped loose. Liners are not required on flat plate (seven or eight leaf) springs.

2 - Replaces Sideplate Washer Only on Front & Center Hangers.

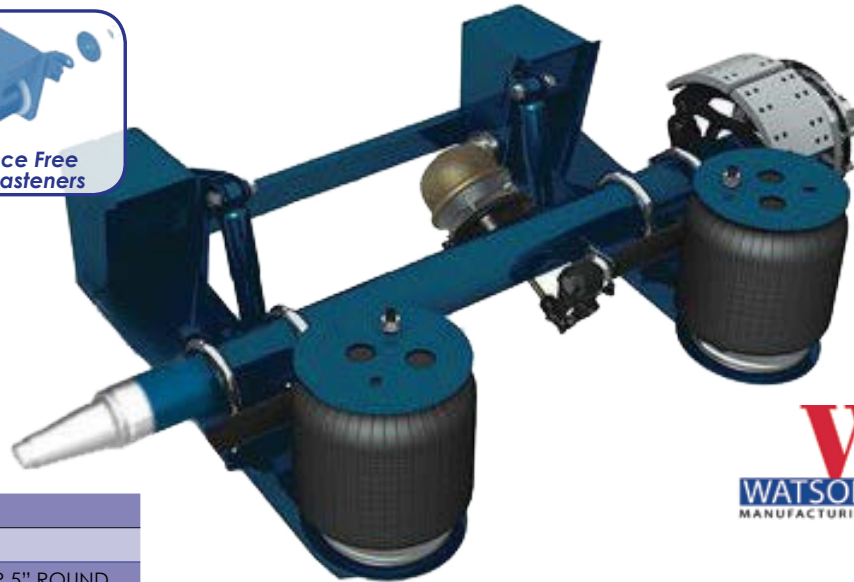
3 - Shipped loose, not part of rocker or hanger assembly. However, it is a component included with the rear hanger assembly.

A - For Standard 7/8" U-Bolt. B shown as assembled with item #2.

HANGER KITS • AIR-RIDE ◉

Air-Ride Suspension

10,000 LB - 30,000 LB TRAILER AIR-RIDE SUSPENSION SYSTEM



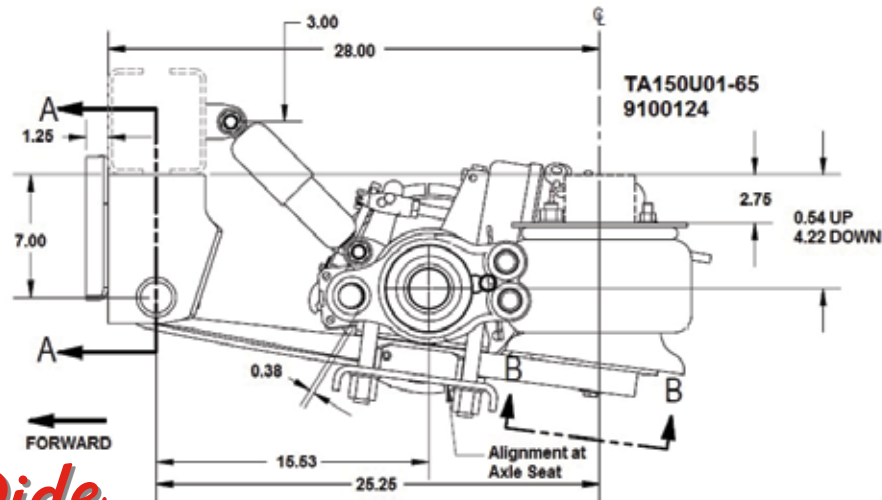
TA150U01-65	
9100124	
AIR-RIDE SUSPENSION FOR 5" ROUND AXLE TUBES 10K-15K CAPACITY.	
6.5" RIDE HEIGHT	MINIMUM 38" AXLE SPACING

NOTE: Partial Axle shown for illustration only. Axle not included.

ITEM NO.	ID NO.	APPLICATION	MINIMUM SPACING	RIDE HEIGHT (IN)	AXLE TUBE
9100124	TA150U	10K-15K AIR-RIDE	38.0	6.0	5" 0.440" TUBE THICKNESS
*9100067	TA250U	25K AIR-RIDE	ADJUSTABLE	5.5	5" 0.440" TUBE THICKNESS
*9100226	TA250U	15K-25K AIR-RIDE	46.0	6.5	5" 0.440" TUBE THICKNESS
*9100161	TA300T	25K-30K AIR-RIDE	15-24	8.0	5" 0.440" TUBE THICKNESS

* NOTE: See page D-19 for other ride height and mounting configuration options.

THE TA150 IS OPTIMAL AIR-RIDE OPTION FOR 10K - 15K CAPACITY TRAILERS.



Air-Ride

Features and Benefits

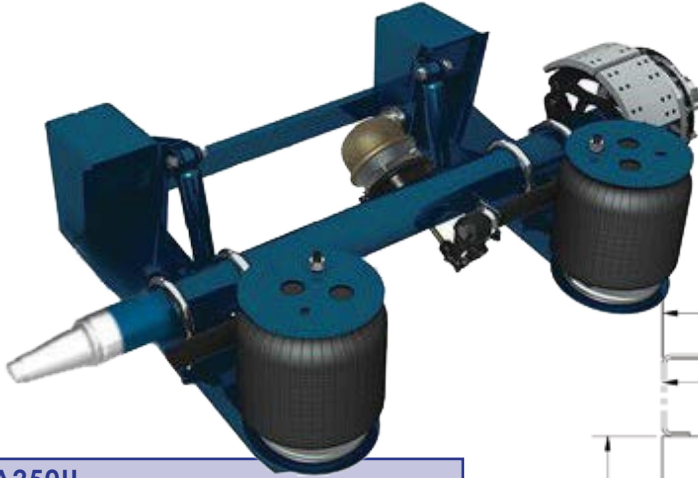
- Low Maintenance
- Contoured Axle Seat optimizes Axle Weldment
- Non-captured axle enables axle exchange in the field
- Eccentric collar design for simple axle alignment adjustment capability +/- 0.25"
- Integrated shock absorber mounting
- U-Bolt secured to facilitate axle stability
- Industry standard multi-functional rubber bushing adequately reducing stress on axle
- Shear-Type Pivot Bolt used for simple installation applying required clamping force without requiring torque or re-torque.
- Pivot Nut helps maintain pivot clamping force and is highly resistant to loosening under vibration.
- Huck Fasteners

*Exclusive

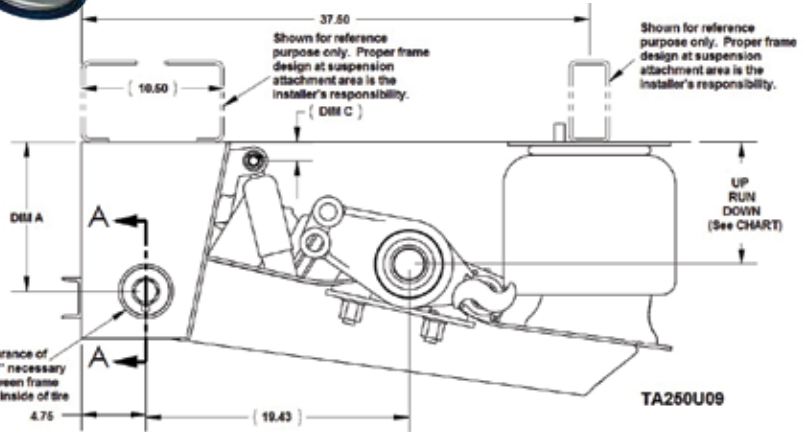
HANGER KITS • AIR-RIDE

Air-Ride Suspension

10,000 LB - 30,000 LB TRAILER AIR-RIDE SUSPENSION SYSTEM



The TA250 is optimal Air-Ride Option for 15K - 25K Capacity Trailers



TA250U 9100226

AIR-RIDE SUSPENSION FOR 5" ROUND AXLE TUBES 15K-25K CAPACITY.
6.5" RIDE HEIGHT
MINIMUM 46" AXLE SPACING
NOTE: Partial Axle shown for illustration only. Axle not included.

TA250U 9100067

AIR-RIDE SUSPENSION FOR 5" ROUND AXLE TUBES 25K CAPACITY.
5.5" RIDE HEIGHT
ADJUSTABLE COLLAR
NOTE: Partial Axle shown for illustration only. Axle not included.

TA250 CONFIGURATION OPTIONS AVAILABLE*

ID NO	OPTION	COLLAR ¹	RIDE HT	UP	DIM A	DOWN	DIM B	DIM C
TA250U09-55XE	55X	E	5.50	3.25	8.00	11.50	0.25	1.06
TA250U09-65XS	65X	W	6.50	3.65	8.00	10.25	0.25	1.06
TA250U09-75XE	75X	E	7.50	5.25	11.00	14.00	0.25	1.38
TA250U09-90XE	90X	E	9.00	5.25	11.00	14.00	0.25	1.38

¹COLLAR TYPE - ECCENTRIC (E) / WELDED (W)

NOTE: Some items may be Non-Stocking, Special Order.

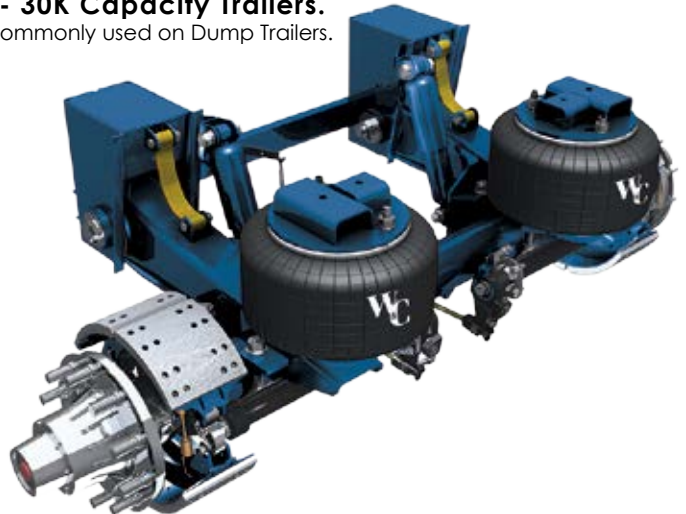
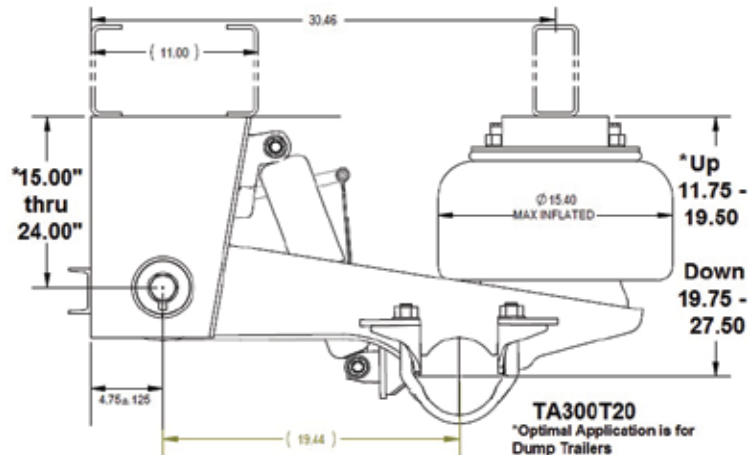
* This chart corresponds with the diagram (TA250U09) above. Primary option differences are the ride height desired and whether the collar is fixed or adjustable. All models are available as adjustable (eccentric) or fixed (welded). Listed on this chart are the more popular for Heavy-Duty Suspensions.

TA300T 9100161

AIR-RIDE SUSPENSION FOR 5" ROUND AXLE TUBES 25K-30K CAPACITY.
RIDE HEIGHT BETWEEN 15" - 24"
MINIMUM AXLE SPACING BETWEEN 14" - 23"
NOTE: Partial Axle shown for illustration only. Axle not included.

The TA300T is optimal Air-Ride Option for 25K - 30K Capacity Trailers.

It is most commonly used on Dump Trailers.



HANGER KITS • AIR-RIDE •

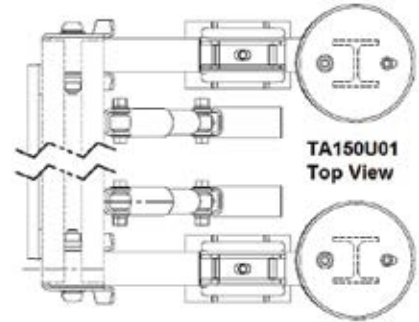
Air-Ride Suspension

PARTS BREAKDOWN

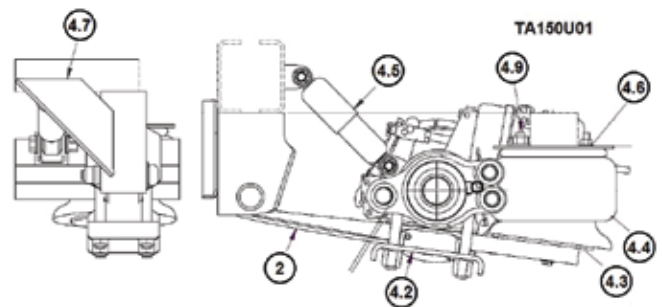
10K-15K TA150 AIR-RIDE BOLT-ON SUSPENSION

REF NO.	ID NO.	QTY.	RIDE HT	DESCRIPTION
*1	920811-55-01	1	5.5	UNDERSLUNG HANGER ASSEMBLY 6" PACKAGE
	920811-65-01		6.5	UNDERSLUNG HANGER ASSEMBLY 7" PACKAGE
2	19083	1	-	SPRING BEAM ARM 15K TA15
*3	HPPT16107	1	-	HUCK PACK 0.88 TA150U
*4	BXT15U01.5500	1	5.5	BOXED TA150U01 KIT
	BTX15U01.6500		6.5	BOXED TA150U01 KIT
4.1	940247-01	2	-	TA150 UPPER AXLE SEAT ASSEMBLY 5.00" AXLE
4.2	940252	2	-	LOWER AXLE SEAT ASSEMBLY TA1
4.3	50626	2	-	TA150 LOWER BAG PLATE
4.4	AS0236	2	-	AIR SPRING
4.5	19041	2	-	SHOCK ABSORBER
4.6	10059	2	-	UPPER BAG PLATE
4.7	11526	2	-	HANGER GUSSET
*4.8	HPUB16004-05	1	-	U-BOLT PACK 5.00" AXLE
4.9	ASKP033	1	-	AIR SPRING HARDWARE KIT
*4.10	11127	2	-	AXLE SHOCK / CHAIN BRACKET
*4.11	C-20069-01	2	-	SHOCK BRACKET C-20069 SHEAR
*4.12	HPVS16002	1	-	VERTICAL SHOCK HARDWARE PACK

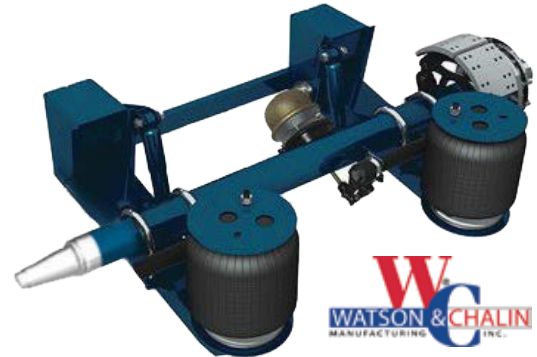
* Not shown NOTE: Standard AirBags are Contitech Brand.



TA150U01
Top View

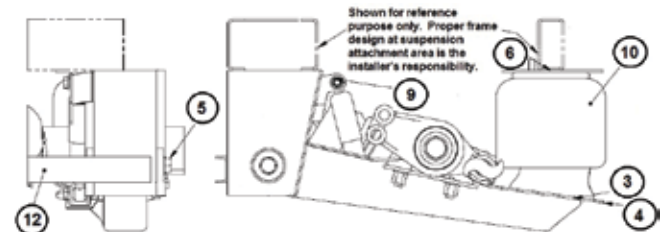


TA150U01



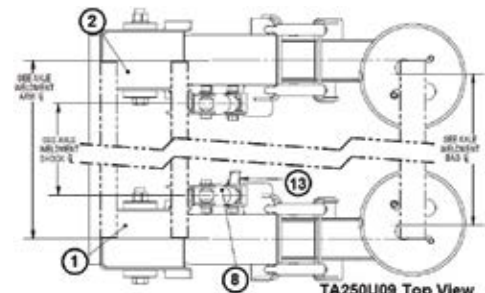
25K-30K TA250 UNDERSLUNG AIR-RIDE BOLT-ON SUSPENSION¹

REF NO.	ID NO.	QTY.	RIDE HT	DESCRIPTION
1	920700-108XE1.06	1	5.5	LH ECCENTRIC COLLAR HANGER ASSEMBLY 8" PACKAGE
	920700-108XS1.06		6.5	LH WELDED COLLAR HANGER ASSEMBLY 8" PACKAGE
	920700-111XE1.38		7.5	LH ECCENTRIC COLLAR HANGER ASSEMBLY 11" PACKAGE
	920700-111XE1.38		9.0	LH ECCENTRIC COLLAR HANGER ASSEMBLY 11" PACKAGE
2	920700-208XE1.06	1	5.5	RH ECCENTRIC COLLAR HANGER ASSEMBLY 8" PACKAGE
	920700-208XS1.06		6.5	RH WELDED COLLAR HANGER ASSEMBLY 8" PACKAGE
	920700-211XE1.38		7.5	RH ECCENTRIC COLLAR HANGER ASSEMBLY 11" PACKAGE
	920700-211XE1.38		9.0	RH ECCENTRIC COLLAR HANGER ASSEMBLY 11" PACKAGE
3	930203-10	1	-	UNDERSLUNG ARM ASSEMBLY LH
4	930203-20	1	-	UNDERSLUNG ARM ASSEMBLY RH
5	16079-01	1	-	COLLAR PACK - WELDED COLLAR
	16079-02		-	COLLAR PACK - ECCENTRIC COLLAR
6-7	50381	2	-	UPPER BAG PLATE
8	17300	2	5.5-6.5	SHOCK ABORBER
	17297		7.5-9.0	SHOCK ABORBER
9	16002	1	-	VERTICAL SHOCK HARDWARE PACK
10	AS0113CK	1	-	5.5"-6.5" CONTITECH AIR BAG
	AS0061-1CK		-	7.5"-9" CONTITECH AIR BAG
11	16078-01	1	-	U-BOLT PACK 5.00" AXLE
12	N/A	1	-	CROSSBRACE WELD-ON
13	30259	1	-	LEVEL ROD CONNECTION BRACKET



Front View (Curb Side)

TA250U09 Side View



TA250U09 Top View

¹ - Many configurations are available for special order. Weld-On, Welded Collar, GoodYear AirBags, etc.

HANGER KITS • AIRFLEX® AIR RIDE

AirFlex® Torflex™ Air Ride Suspension



9100113

• See Page D-22 for Height Control Valve Kit

Airflex® provides a smooth ride

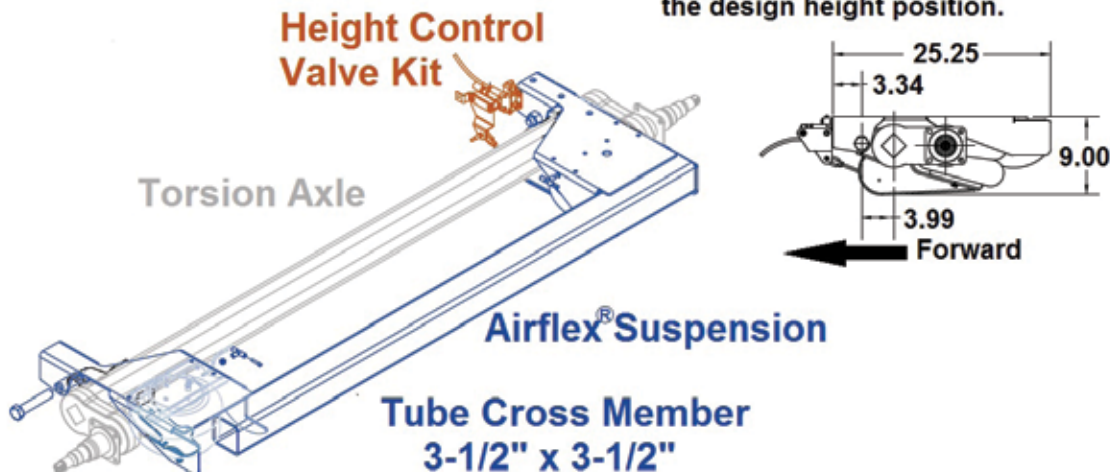
Suspension brackets mount to the trailer frame. The rubber torsion axle* rides on air springs and the trailer is cushioned by both the air springs and the rubber torsion springs.

* NOTE: Torsion axle sold separately.

Features and Benefits:

- Soft Ride - New hybrid suspension combines air and rubber torsion for an excellent ride
- Independent - Ride and stability improve with independent wheel action
- Equalizing - Axle-to-axle load equalization allows use on triple axle trailers
- Reliable - Rubber cushions ride even if air is not available
- Maintains constant ride height for the ultimate ride
- Fully assembled for easy installation
- Adjustable axle alignment feature
- Available for Single, Tandem or Triple Torsion Axle Applications in 6K - 10K Capacities
- Optional ride height control valve, air generation and shock absorber kits
- Firestone Air Springs
- Limited 2-Year Warranty

NOTE:
All dimensions are shown at the design height position.



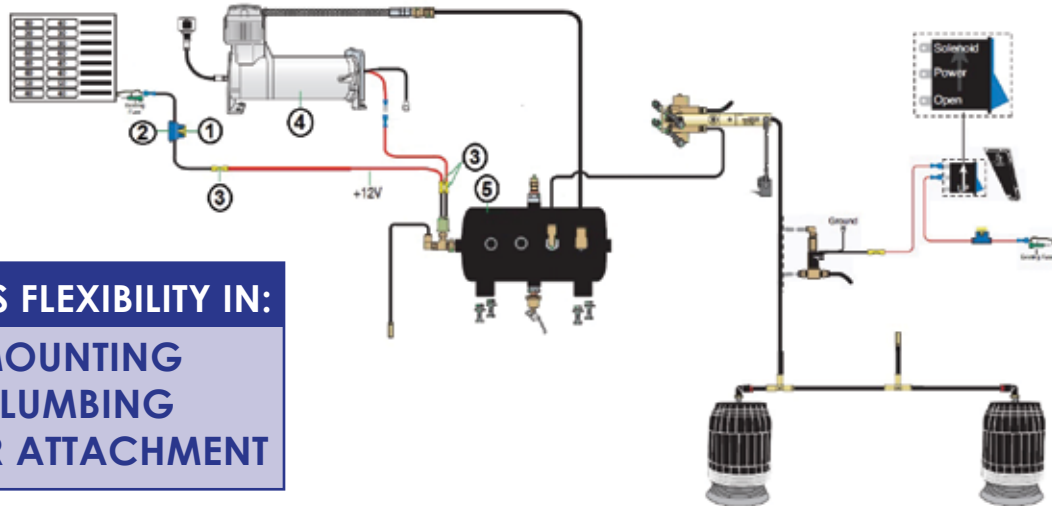
NOTE: 10K Airflex® Torflex Configuration shown as informational only. Contact your Customer Service Representative for details to your desired specifications and options.

SUSPENSION • AIR GENERATION

Air Generation

NEXT GENERATION HEIGHT CONTROL VALVES

OFFERS FLEXIBILITY IN:
MOUNTING
PLUMBING
LEVER ATTACHMENT



ITEM NO.	ID NO.	DESCRIPTION
9100062	ACK-203	AUTOMATIC SINGLE HEIGHT CONTROL VALVE KIT**
9100125	ACK-201	AUTOMATIC DUAL HEIGHT CONTROL VALVE KIT**
9100126	17760-04	HEIGHT CONTROL VALVE STYLE: NGHCV NON-DUMP 4 DIFFERENT SIZE LEVER OPTIONS MOUNTING BOLTS 1 - 3/8" 90° STEM FITTINGS
9100113	K71-692-01	HALDEX® AIRFLEX® HEIGHT CONTROL VALVE KIT
9100127	19535	MANUAL HEIGHT CONTROL WITH REGULATOR AND GAUGE
9100128	19535-B	BRACKET FOR MANUAL HEIGHT CONTROL VALVE
9100129	17988	AIR DUMP VALVE
9100193		

** Height Control Valve included in this kit.

ITEM NO.	ID NO.	DESCRIPTION
9100218	25435	AIR CONTROL SYSTEM FOR TRAILERS WITHOUT AIR CONTROL* CONTAINS: HEAVY DUTY AIR COMPRESSOR, AIR TANK, AIR LINE, FUSE BLOCK / FUSE, FITTINGS & HARDWARE.

* Height Control Valve 9100126 required. Not included in this kit.

REF NO.	ITEM NO.	AIR CONTROL SYSTEM REPLACEMENT PARTS
1	7000749	30A FUSEHOLDER
2	7000706	30A REPLACEMENT FUSE
3	7000736	12-GAUGE YELLOW BUTT CONNECTOR
4	9100330	200PSI AIR COMPRESSOR
5	6050114	5-GALLON AIR TANK

NOTE: This kit can be use on Torflex AirFlex Axles or Up to 15K Sprung Air Axles. Additionally, it is without a HCV (Height Control Valve). Recommend Height Control Valve 9100126 (Import) or 9100113 (Genuine Dexter). Air Bags are not included with this kit. Hoses and fittings UP TO the bag are included.

SUSPENSION • U-BOLTS

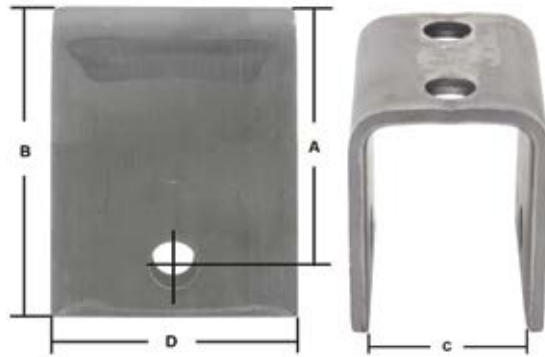


U BOLTS								
ITEM NO.	ID NO.	TYPE	THREAD (A)	LENGTH (B)	WIDTH (C)	FITS TIE PLATE	NUT	FIT AXLE
9000228	11-54	1.750" ROUND	3/8"-24	4.29	1.90	9000204	6450182	2K ROUND AXLE TUBE
9000231	11-74	2.375" ROUND	7/16"-20	5.13	2.44	9000299	9000346	3.5K ROUND AXLE TUBE
9000244	11-21	2.375" ROUND	1/2"-20	5.50	2.44	9000207	7700181	3.5K ROUND AXLE TUBE
9000222	11-22	2.375" ROUND	1/2"-20	6.25	2.44	9000207	7700181	3.5K ROUND AXLE TUBE
9000225	11-18	3.000" ROUND	1/2"-20	7.00	3.09	9000210	7700181	5.2-7K ROUND AXLE TUBE
9000245	17-55892	3.000" ROUND	9/16"-18	7.00	3.09	9000342	9000152	5.2-7K ROUND AXLE TUBE
9000232	11-65	3.500" ROUND	9/16"-18	8.00	3.56	9000213	9000152	8K ROUND TUBE
9000240	17-5667	3.500" ROUND	5/8"-11	9.00	3.56	9000213	9000144	8K ROUND TUBE
9000229	11-64	4.000" ROUND	5/8"-11	8.13	5.12	9000214	9000144	9K ROUND TUBE
9000230	11-77	5.000" ROUND	5/8"-11	9.00	5.12	9000215	9000144	10KGD/10K ROUND TUBE
9000248	091148	5.000" ROUND	5/8"-11	9.50	5.12	9000215	9000144	10K ROUND TUBE -ALKO
9000227	11-70	5.000" ROUND	3/4"-10	9.60	5.16	9000217	9000138	12K-15K ROUND TUBE
9000331	7816-10	5.000" ROUND	7/8"-14	11.75	5.16	-	9000154	HUTCH 9700
9000239	175130LN	1.750" SQUARE	9/16"-18	5.00	1.85	9000205	9000152	2K-3.5K SQUARE AXLE TUBE
9000502	-	2.000" SQUARE	1/2"-20	5.30	2.06	8270046	7030203	2K-3.5K SQUARE AXLE TUBE GALVANIZED
9000317	-	2.000" SQUARE	1/2"-20	5.38	2.06	8270046	7030069	2K-3.5K SQUARE AXLE TUBE ZINC

AXLE TIE PLATES								
ITEM NO	ID NO	TYPE	SPRING WIDTH	U-BOLT SIZE	A	B	FITS AXLE	
9000204	117535	1.75" ROUND	1.75	3/8"	2.19	2.19	2K ROUND TUBE	
9000299	12-51	2.38" ROUND	1.75	7/16"	2.88	2.25	3.5K ROUND TUBE	
9000207	117595	2.38" ROUND	1.75	1/2"	2.94	2.31	5.2K-7K ROUND TUBE	
9000210	12-1	3.00" ROUND	2.00	9/16"	3.62	2.60	3.5K-7K ROUND TUBE	
9000342	117521	3.00" ROUND	2.00	9/16"	3.68	2.60	5.2K-7K ROUND TUBE	
9000213	117581	3.50" ROUND	2.00	5/8"	4.13	2.63	8K ROUND TUBE	
9000214	12-42	4.00" ROUND	2.00	5/8"	-	2.63	9K ROUND TUBE	
9000215	12-49	5.00" ROUND	2.50	5/8"	5.77	3.25	10KGD ROUND TUBE	
9000216	12-53	5.00" ROUND	3.00	5/8"	5.75	3.88	10K ROUND TUBE	
9000217	12-46	5.00" ROUND	3.00	3/4"	5.87	3.88	12K-15K ROUND TUBE	
9000035	706-01	5.00" ROUND	3.00	7/8"	-	-	HUTCH	
9000205	116308	1.75" SQUARE	1.75	1/2"	5.25	2.38	2K-3.5K SQUARE TUBE	
8270046	20023G	1.75" SQUARE	1.75	1/2"	4.00	3.81	2K-3.5K SQUARE TUBE	

HARDWARE							
ITEM NO	ID NO.	SIZE	TYPE	ITEM NO	ID NO	SIZE	TYPE
6450182	36156	3/8"-24	HEX NUT	9000138	6-113	3/4"-10	LOCK NUT
9000250	33621	3/8"	LOCK WASHER	9000154	34-04	7/8"-14	HEX NUT
9000346	36358	7/16"-20	FLANGE NUT	9000098	35-00	7/8"	FLAT WASHER
9000385	7700181	1/2"-20	FLANGE NUT	7030203	12CHNG	1/2"-13	GALV HEX NUT
9000152	916FHNP	9/16"-18	HEX NUT	7030069	12CHNYZ	1/2"-13	ZINC HEX NUT
9000252	916LWP	9/16"	LOCK WASHER	9000251	12LWP	1/2"	ZINC FLAT WASHER
9000144	6-38	5/8"-11	HEX NUT	7030204	12LWHDG	1/2"	GALV SPLIT LOCK WASHER

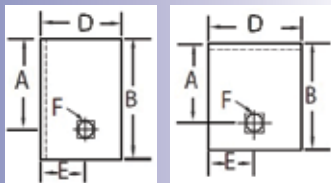
SUSPENSION • HANGERS =



1/16	0.063	9/16	0.563
1/8	0.125	5/8	0.625
3/16	0.188	11/16	0.688
1/4	0.250	3/4	0.750
5/16	0.313	13/16	0.813
3/8	0.375	7/8	0.875
7/16	0.438	15/16	0.938
1/2	0.500		

MEASURING

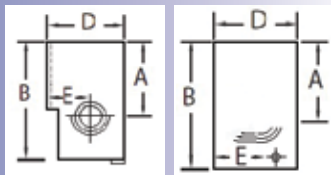
2.5" - 3.0" Wide Springs



Front

Center

Rear Springs



2.5"

3.0"

1.75" WIDE SPRINGS

ITEM NO.	ID NO.	A	B	C	D	BOLT SIZE	DESCRIPTION
9000099	SH01B	N/A	N/A	1.30	N/A	N/A	USE WITH SLIPPER SPRINGS WITH 9/16" EYE
9000127	30-20	1.13	2.13	1.44	1.50	9/16"	REAR HANGER WITH SLEEVE
9000123	11-5980	1.25	2.31	1.44	3.00	9/16"	REAR HANGER
9000122	11-5917	1.25	2.01	1.88	3.00	9/16"	FRONT OR REAR HANGER
9000128	11-5918	2.44	3.10	1.88	3.00	9/16"	CENTER HANGER
9000113	28-5	3.22	3.85	1.88	3.00	9/16"	UNIVERSAL HANGER
9000114	28-49	4.25	4.88	1.88	3.00	9/16"	UNIVERSAL HANGER
9000129	11-5919	5.38	6.19	1.81	3.00	3/4"	CENTER HANGER

2.00" WIDE SPRINGS

ITEM NO.	ID NO.	A	B	C	D	BOLT SIZE	DESCRIPTION
9000291	28-1	4.24	4.88	2.25	3.00	9/16"	H202 - FRONT HANGER
9000290	29-1	3.52	4.50	3.00	3.00	7/8"	H202 - CENTER HANGER
9000292	30-28	5.37	6.00	2.25	3.00	5/16"	H202 - REAR HANGER
9000105-02	HR25F	3.56	4.31	2.19	3.00	9/16"	APT6SE - FRONT HANGER
9000100-02	HR27F	3.38	4.50	3.13	3.00	7/8"	APT6SE - CENTER HANGER
9000106-02	HR26W	5.06	6.00	2.19	3.00	9/16"	APT6SE - REAR HANGER
9000105	72-1584	3.56	4.31	2.19	4.00	9/16"	APT6SE -HD FRONT HANGER
9000100	72-1586	3.38	4.50	3.13	4.00	7/8"	APT6SE -HD CENTER HANGER
9000106	72-1585	5.06	6.00	2.19	4.00	9/16"	APT6SE -HD REAR HANGER
9000119	28-9-1	5.00	5.63	2.25	3.00	9/16"	H238 - FRONT HANGER
9000170	29-5-1	4.50	5.53	3.06	3.00	7/8"	H238 - CENTER HANGER
9000121	30-6-1	6.43	7.06	2.25	3.00	5/16"	H238 - REAR HANGER
9000120	28-68-4	-	-	-	-	5/8"	HAP-105 FRONT HANGER
9000118	30-68-1	-	-	-	-	5/16"	HAP-105 REAR HANGER
9000117	29-39-4	-	-	-	-	1"	HAP-205 CENTER HANGER

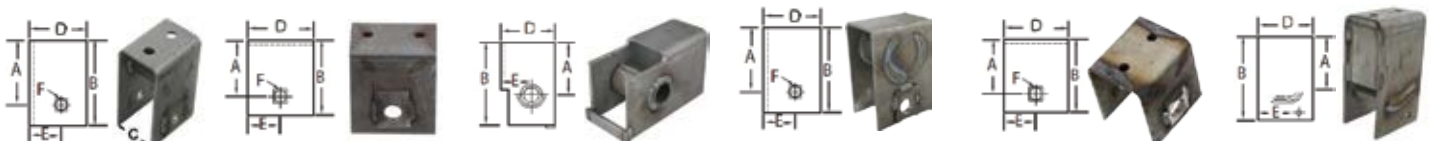
2.50" WIDE SPRINGS

ITEM NO.	ID NO.	A	B	C	D	E	F	DESCRIPTION
9100072-02	028-074-02	5.25	6.50	*2.63	4.00	2.00	0.75	FRONT HANGER - USES 9000280 3/4" HEX BOLT
9100072-03	030-061-01	4.44	7.00	*2.62	4.50	2.50	N/A	REAR HANGER
9100089-03	029-042-02	4.25	5.63	*3.25	0.50	2.50	1.00	CENTER HANGER - USES 9000013 1" HEX BOLT

3.00" WIDE SPRINGS

ITEM NO.	ID NO.	A	B	C	D	E	F	DESCRIPTION
9000112	028-067-04	6.25	7.50	3.19	5.00	2.50	1.06	FRONT HANGER - USES 9000013 1"-18 HEX BOLT
9000296	029-043-02	4.38	5.63	3.75	5.00	2.50	1.31	CENTER HANGER - USES 9000012 1-1/8" HEX BOLT
9000111	030-066-01	7.80	8.61	3.19	5.00	3.75	0.52	REAR HANGER - USES 9000014 1/2" HEX BOLT

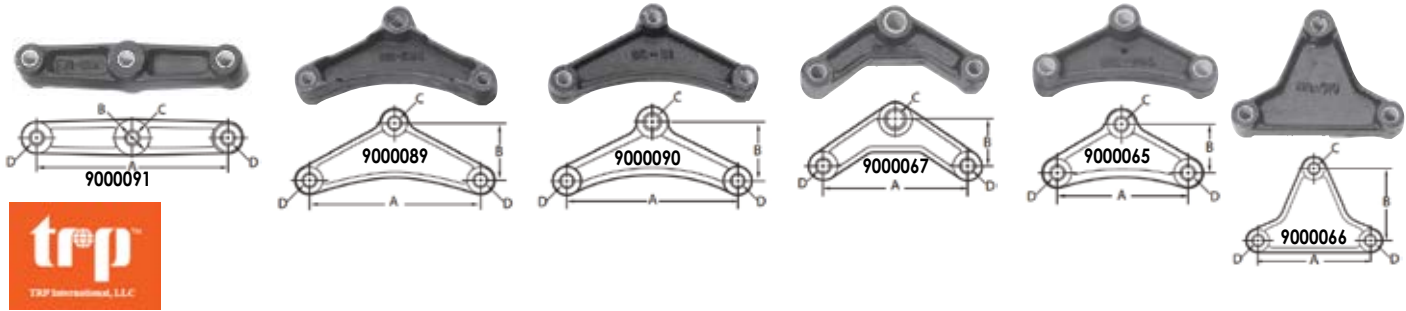
Complete Suspension Kits are listed on the Table of Contents of this section.



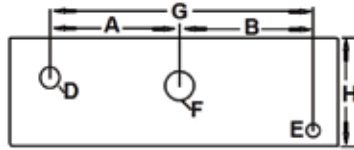
2.5"

3.0"

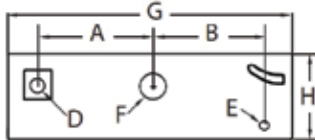
SUSPENSION • EQUALIZERS =



1.75" WIDE SPRINGS - CAST EQUALIZERS						DESCRIPTION	USED IN KIT:						
ITEM NO.	ID NO.	A	B	C	D	STYLE	APT1	APT3	APT3HD	APT4	APT5/TT	APT9	H248
9000091	EQR89	8.00	1.75	0.563	0.563	STRAIGHT / FLAT							
9000088	EQR83	8.00	1.75	0.750	0.563	STRAIGHT / FLAT	X						
9000066	EQ310	6.06	WW4.00	0.563	0.563	TALL							
9000065	13-104	5.75	2.00	0.563	0.563	CURVED							X
9000090	E1	7.75	2.88	0.563	0.563	CURVED		X			X	X	
9000089	EQ34	7.75	2.88	0.750	0.563	CURVED			X				
9000067	EQ458	6.25	2.00	0.750	0.563	SHORT CURVED				X			



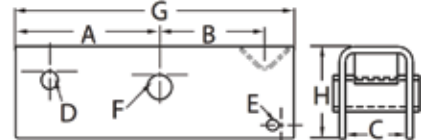
9000272 & 9000070



HAP-205 Equalizer



New Style Equalizer



Old Style Equalizer

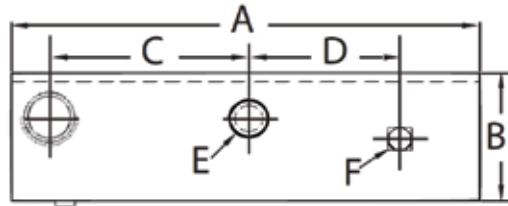


9000094



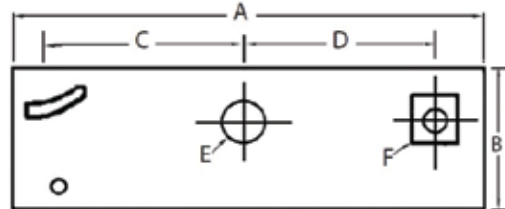
2.00" WIDE SPRINGS - STAMPED EQUALIZERS															
ITEM NO.	ID NO.	A	B	C	D	E	F	G	H	DESCRIPTION	APT6SE	APPT6SE	APT6SE-HD	H202	HAP-205
9000272	E4541	4.24	4.44	2.25	0.563	0.563	0.880	12.00	3.25	0.25" THICK	X	X			
9000070	E5541	3.52	4.44	2.25	0.563	0.563	0.880	12.00	3.25	0.30" THICK			X		
9000094	13-4	4.63	5.00	-	0.563	0.313	0.880	10.13	-	OLD STYLE					
900094-01	13-4 NEW	5.41	4.26	2.13	0.536	0.438	0.880	11.00	3.50	NEW STYLE				X	
9000072	013-117-03	5.50	5.57	-	0.625	0.313	0.940	13.13	-	38" SPACING					X
9000071	013-118-03	7.63	7.75	-	0.625	0.313	0.940	17.38	-	42.25" SPACING					X
9000073	013-119-03	10.75	10.75	-	0.625	0.313	0.940	23.50	-	48.5" SPACING					X

SUSPENSION • EQUALIZERS • HARDWARE KITS



2.50" WIDE SPRINGS - STAMPED EQUALIZERS

ITEM NO.	ID NO.	A	B	C	D	E	F	DESCRIPTION
9100089-02	013-139-03	14.00	5.25	3.00	3.00	1.00	0.75	HAP-258-01 EQUALIZER - 38.00" AXLE SPACING
9100090-02	013-140-03	18.38	5.18	7.13	7.65	1.00	0.75	HAP-258-03 EQUALIZER - 42.25" AXLE SPACING
9100091-02	013-141-03	24.75	5.18	10.38	10.00	1.00	0.75	HAP-258-03 EQUALIZER - 48.50" AXLE SPACING



3.00" WIDE SPRINGS - STAMPED EQUALIZERS

ITEM NO.	ID NO.	A	B	C	D	E	F	DESCRIPTION
9000083	013-107-07	14.00	6.00	-	-	1.13	0.530	HAP-203-01 EQUALIZER - 38.00" AXLE SPACING
9000082	013-108-03	18.42	6.00	7.62	5.00	1.13	0.530	HAP-203-02 EQUALIZER - 42.25" AXLE SPACING
9000085	013-109-03	24.68	6.00	10.75	5.00	1.13	0.530	HAP-203-03 EQUALIZER - 48.50" AXLE SPACING

⚠ CAUTION

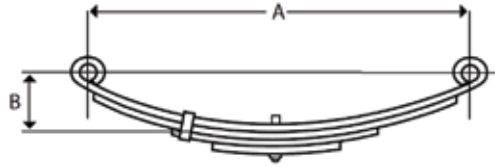
INSPECTION & REPLACEMENT

All the components of your suspension system should be visually inspected at least every 6,000 miles for signs of excess wear, elongation of bolt holes, and loosening of fasteners. Whenever loose or replaced, the fasteners in your suspension system should be torqued as detailed in the charts at the end of this book (Fastener Torque Values).

Worn spring eye bushings, sagging springs, or broken springs should be replaced.

LEAF SPRINGS =

DOUBLE-EYE SPRINGS

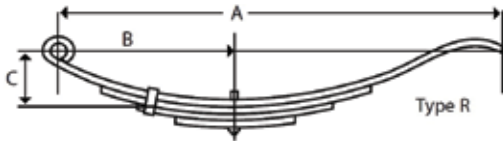


ITEM NO	ID NO	APPLICATION	LENGTH (A)	WIDTH	HEIGHT (C)	CAPACITY	NO OF LEAVES	EYE ID	BUSHING SIZE	BUSHING ITEM NO	NOTE
9150006	1020	2K AXLE	20.38	1.75	3.18	1,000	3	11/16"	9/16"	9000038	*
9150073	PR722	1.5K AXLE	25.25	1.75	3.18	1,250	3	11/16"	9/16"	9000038	*
9150049	72-13	2.8K AXLE	20.5	1.75	3.38	1,400	4	11/16"	9/16"	9000038	*
9150012	1724	3.5K AXLE	23.13	1.75	3.50	1,750	3	11/16"	9/16"	9000038	*
9150013	SW3	3.5K AXLE	25.25	1.75	3.00	1,750	3	11/16"	9/16"	9000038	*
9150014	SW4B	3.5K AXLE	25.25	1.75	3.00	1,750	4	11/16"	9/16"	9000038	*
9150010	PR427	4.2K AXLE	27.00	1.75	2.88	2,100	4	11/16"	9/16"	9000038	*
9150016	SW4	5K AXLE	25.25	1.75	3.00	2,500	4	11/16"	9/16"	9000038	*
9150018	SW5	5.8K AXLE	25.25	1.75	3.00	2,900	5	11/16"	9/16"	9000038	*
9150019	TE30	6K AXLE	25.25	1.75	3.00	3,000	1	5/8"	N/A	9000038	*
9150017	SW626	6K AXLE	26.00	1.75	3.25	2,700	6	11/16"	9/16"	9000038	*
9150023	SW627	6K AXLE	27.00	1.75	4.25	3,000	6	11/16"	9/16"	9000038	*
9150021	SW6	7K AXLE	25.25	1.75	3.00	3,500	6	11/16"	9/16"	9000038	*

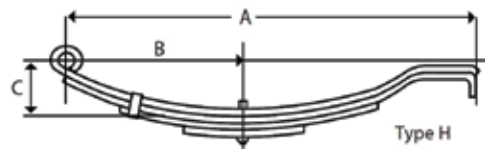
* NOTE: Slipper Springs support between 1,000 to 7,500 lbs per spring for 2K - 15K axles. There are two springs per axle. Each spring supports 50° of the axle's capacity up to the spring's capacity. i.e., a spring rating of 1,750 lbs is required for a 3,500 lbs capacity rated axle.

SLIPPER SPRINGS

SLIPPER SPRING - RADIUS END



SLIPPER SPRING - HOOK END



ITEM NO	ID NO	APPLICATION	LENGTH (A)	WIDTH	ARCH (B)	HEIGHT (C)	CAPACITY	NO OF LEAVES	TYPE	EYE ID	BUSHING SIZE	BUSHING ITEM NO	NOTE
9150025	WIC2	1K AXLE	24.25	1.75	11.00	4.00	500	2	R	11/16"	9/16"	9000038	*
9150031	WE3	1.5K AXLE	24.25	1.75	11.00	4.00	750	3	R	11/16"	9/16"	9000038	*
9150007	WH4	2K AXLE	24.62	1.75	11.00	4.00	1,000	4	R	11/16"	9/16"	9000038	*
9150009	WI5	3K AXLE	24.25	1.75	11.00	4.00	1,300	5	R	11/16"	9/16"	9000038	*
9150011	WF3	4K AXLE	30.25	1.75	13.50	4.88	1,500	3	R	7/8"	9/16"	9000051	*
9150015	WG4	4K AXLE	30.25	1.75	13.50	4.88	2,000	4	R	7/8"	9/16"	9000051	*
9150112	C-4	6.8K AXLE	26.50	1.75	13.25	3.50	2,350	4	R	1"	9/16"	PE-228	*
9150076	803T3	7K AXLE	26.50	2.00	11.19	2.50	2,000	4	H	1-15/16"	9/16"	9000298	*, 2EA BUSHINGS
9150074	1003T3	6K AXLE	24.88	2.00	11.19	3.06	2,500	4	H	11/16"	9/16"	9000039	*
9150020	E5226	7K AXLE	26.50	2.00	12.00	3.50	3,400	5	H	11/16"	9/16"	9000039	*
9150000	1203T3	7K AXLE	26.50	2.00	11.19	3.19	3,500	5	H	11/16"	9/16"	9000039	*
9150022	HW5116	7K AXLE	26.50	2.00	13.50	3.50	3,750	6	H	11/16"	9/16"	9000039	*
9150034	1043T3	8K AXLE	26.18	2.00	11.19	3.19	4,000	7	H	11/16"	9/16"	9000039	*
9150024	E5115	8K AXLE	29.50	2.00	13.50	3.50	4,000	6	H	11/16"	9/16"	9000039	*
9150059	72-10-2	9K AXLE	30.00	2.00	13.13	3.88	4,500	6	H	1-3/8"	5/8"	9000041	*
9150026	E8536	10K AXLE	29.50	2.00	13.50	3.13	5,300	8	H	11/16"	9/16"	9000039	*
9150033	72-80	10K AXLE	30.50	2.50	13.50	4.00	5,000	5	H	2"	3/4"	9000295	*
9150027	72-21	10K AXLE	30.50	2.50	13.50	4.00	5,000	5	H	1"	3/4"	9000042	*
9150046	72-77	10K AXLE	30.50	2.50	13.50	4.00	5,000	5	H	1-1/8"	7/8"	9000273	*
9150029	93161	10K AXLE	32.50	2.50	14.00	4.00	5,000	5	H	2"	3/4"	9000295	*
9150028	72-43	10K AXLE	30.50	3.00	13.38	4.00	5,000	5	H	2"	1"	9000043	*
9150030	72-44	12K AXLE	30.00	3.00	13.38	4.00	6,000	6	H	2"	1"	9000043	*
9150032	72-45	15K AXLE	30.50	3.00	13.38	4.00	7,500	7	H	2"	1"	9000043	*
9150008	72-48	22.5K AXLE	43.75	3.00	N/A	6.26	11,500	3	N/A	N/A	N/A		

* NOTE: Slipper Springs support between 1,000 to 7,500 lbs per spring for 2K - 15K axles. There are two springs per axle. Each spring supports 50° of the axle's capacity up to the spring's capacity. i.e., a spring rating of 1,750 lbs is required for a 3,500 lbs capacity rated axle.

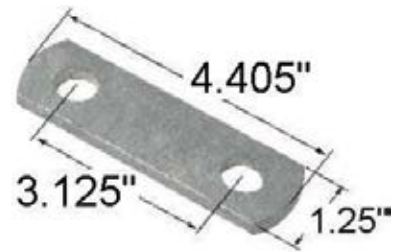
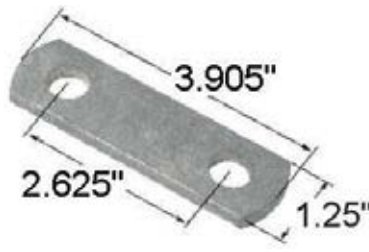
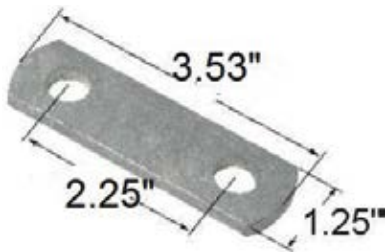
SUSPENSION • HARDWARE



Shackle Strap



Shackle Bolt



PACKAGED SUSPENSION HARDWARE KITS			
ITEM NO	ID NO	DESCRIPTION	QUANTITY
9000030-01	TTBN916	9/16"-18 X 3" SHACKLE BOLT WITH NUTS FOR INSTALLING 1-3/4" WIDE SPRING	4-EA
9000031-01	TTBN917	9/16"-18 X 3-1/2" SHACKLE BOLT WITH NUTS FOR INSTALLING 2" WIDE SPRING	4-EA
9000163-01	TTSK225	2-1/4" CENTER HOLES SHACKLE STRAP 1-1/4" WIDE 3-1/2" LONG. HOLES FITS 9/16" SHACKLE BOLTS	4-EA
9000223-01	TTSK262	2-5/8" CENTER HOLES SHACKLE STRAP 1-1/4" WIDE 3-7/8" LONG. HOLES FITS 9/16" SHACKLE BOLTS	4-EA
9000164-01	TTSK312	3-1/8" CENTER HOLES SHACKLE STRAP 1-1/4" WIDE 4-7/16" LONG. HOLES FITS 9/16" SHACKLE BOLTS	4-EA
9000016-01	TT0875W	7/8"-9 EQUALIZER BOLT KIT 4-5/8" LONG INCLUDES GREASE ZERK, LOCK NUT AND COTTER PIN	2-EA
9000522	TT0375D	3/8"-24 SPRING RETAINING BOLT 3-1/4" LONG INCLUDES NUTS	4-EA

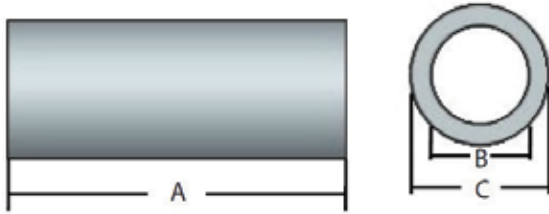
SUSPENSION • BULK HARDWARE



BOLTS, NUTS & WASHERS																			
ITEM NO	ID NO	DIA	TC	LENGTH	STYLE	NUT NO	THREAD	NUT TYPE	TYPICAL APPLICATION	APS/ APT	APT3SE/ 6SE	HAP- 103	HAP- 105	HAP- 158	HAP- 202	HAP- 203	HAP- 205	HAP- 238	HAP- 258
9000020	7-7	0.313	18	3.25	B5	9000143	5/16"	L	SPRING RETAINING BOLT				X				X		
9000014	7-95	0.500	20	4.50	B5	9000137	1/2"	L	SPRING EYE BOLT			X				X			
9000336	9163BZ	0.563	18	3.00	B3	9000335	9/16"	L	ZINC SHACKLE / SPRING EYE BOLT										
9000018	126B2	0.563	18	3.00	B4	9000147	9/16"	L	SHACKLE / SPRING EYE BOLT WITH GREASE ZERK										
9000030	7-3	0.563	18	3.00	B3	9000147	9/16"	L	SHACKLE / SPRING EYE BOLT	X									
9000031	9163B	0.563	18	3.50	B3	9000147	9/16"	L	SHACKLE / SPRING EYE BOLT		X				X	X		X	
9000021	7-181	0.625	11	4.00	B6	9000144	5/8"	L	ZINC SPRING EYE BOLT				X				X		
9000004	126A1	0.750	16	3.50	B4	9000140	3/4"	C	EQUALIZER BOLT WITH GREASE ZERK*	X									
9000280	7-264	0.750	10	4.50	B6	9000138	3/4"	L	SPRING EYE BOLT					X					X
9000010	7-135-2	0.750	10	4.50	B2	9000138	3/4"	L	SPRING EYE BOLT WITH GREASE ZERK										
9000008	090747	0.750	16	4.50	B6	9000140	3/4"	L	SPRING EYE BOLT (ALKO 10-16K)										
9000017	7845B	0.875	9	4.69	B1	9000146	7/8"	C	EQUALIZER BOLT*		X*								
9000318	78C434EB	0.875	9	4.75	B1	9000146	7/8"	C	EQUALIZER BOLT*										
9000016	7-1-1	0.875	9	4.63	B2	9000145	7/8"	L	EQUALIZER BOLT WITH GREASE ZERK ¹		X*								
9000034	7-260-2	0.875	9	4.50	B2	9000145	7/8"	L	SPRING EYE BOLT										
9000019	7-182	1.000	8	5.00	B6	9000136	1"	L	EQUALIZER BOLT				X				X		
9000013	7-169	1.000	8	5.50	B6	9000136	1"	L	SPRING EYE / EQUALIZER BOLT			X		X		X			X
9000329	719-02	1.000	14	5.00	B6	9000330	1"	L	HUTCH RADIUS ROD BOLT										
9000009	7-136-2	1.000	8	5.25	B2	9000136	1"	L	EQUALIZER BOLT WITH GREASE ZERK										
9000011	090746	1.000	8	5.88	B6	9000148	1"	L	SPRING EYE / EQUALIZER BOLT (ALKO 10-16K)										
9000012	7-170	1.125	7	6.00	B6	9000135	1-1/8"	L	EQUALIZER BOLT			X				X			
8750003	4060409	0.125	-	1.75	-	-	-	-	COTTER PIN	X	X								
9000132	Z800A	0.250	28	-	-	-	-	-	STRAIGHT GREASE ZERK 1/8"-28 NPT	X									

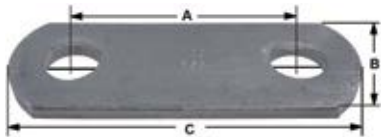
NOTE: TC = Thread Count *Used only in APT6SE +Requires Separate Purchase of Cotter Pin 8750003 1 - Old Style Less Cotter Pin Hole

SUSPENSION • HARDWARE



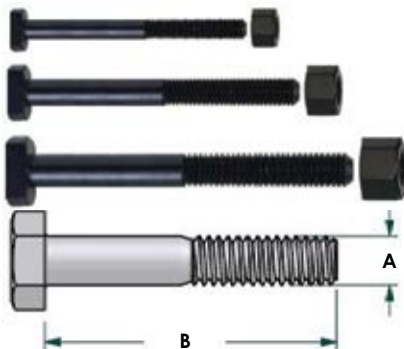
SPRING EYE AND EQUALIZER BUSHINGS

ITEM NO.	ID NO.	LENGTH (A)	I.D. (B)	O.D. (C)	MATERIAL	TYPICAL APPLICATION
9000038	14-1-1	1.75	0.56	0.69	NYLON	SPRING EYE / EQUALIZER
9000039	14-64-1	2.00	0.56	0.69	NYLON	SPRING EYE
9000051	ENP605	1.75	0.56	0.88	NYLON	SPRING EYE
9000045	721590	2.94	0.88	1.06	NYLON	EQUALIZER
9000053	722109	1.75	0.75	0.88	NYLON	EQUALIZER
9000054	722108	1.75	0.56	0.75	NYLON	EQUALIZER
9000298	14-54-1	1.00	0.56	1.31	NYLON	SPRING EYE - NEW STYLE
9000040	14-54	2.00	0.56	1.31	NYLON	SPRING EYE - OLD STYLE
9000041	14-73	2.19	0.75	1.75	RUBBER	SPRING EYE 9K
9000295	14-112	2.63	0.75	2.00	RUBBER	SPRING EYE 10KGD
9000043	14-69	3.00	1.00	2.00	RUBBER	SPRING EYE 10-12K NEW STYLE
9000049	14-51	3.00	1.00	1.25	BRONZE	SPRING EYE 10-12K OLD STYLE
9150021	14-67	2.50	0.75	1.00	BRONZE	SPRING EYE 10KGD
9000273	14-111	2.50	0.88	1.13	BRONZE	SPRING EYE 10KGD
9000047	91413	2.75	0.75	1.75	RUBBER	SPRING EYE 10K HAYES
9000055	91414	4.00	1.00	2.13	RUBBER	SPRING EYE 10K HAYES



SHACKLE STRAPS

ITEM NO.	ID NO.	A	B	C	HOLE SIZE
9000163	18-11	2.250	1.25	3.525	0.563
9000223	11-5052	2.625	1.25	3.905	0.563
9000164	11-5208	3.125	1.25	4.405	0.563



SPRING TIE BOLTS

ITEM NO.	ID NO.	A	B	DESCRIPTION
9000198	516TB3	0.313	3.50	SPRING TIE BOLT
9000200	516TB6	0.313	6.00	SPRING TIE BOLT
9000195	38TB4	0.375	3.50	SPRING TIE BOLT
9000197	38TB6	0.375	6.00	SPRING TIE BOLT
9000201	716TB4	0.438	4.00	SPRING TIE BOLT
9000192	BC12	0.500	6.00	HUTCH SPRING TIE BOLT